

## Type I Technical Chart

Used for Street Lighting, Parking Lot and Security Lighting, Recreational and Industrial Lighting

### Direct Embedment

CATALOG NUMBER SMOOTH GRAY	MOUNTING HEIGHT (Ft.)	POLE WEIGHT (Lbs.)	OVERALL LENGTH (Ft.)	POLE SIZE (In.)		EPA AT POLE TIP (Sq. Ft.)				ULTIMATE GROUNDLINE MOMENT (Ft. Lbs.)	BREAKING LOAD 2 Ft. FROM TIP (Lbs.)
				TIP	BUTT	90 MPH	110 MPH	130 MPH	140 MPH		
151002	11.5	414	15.0	4.0	6.44	58	38	26	22	11,100	1,168
201002	16.0	649	20.0	4.0	7.25	51	32	22	18	14,400	1,028
251002	20.5	942	25.0	4.0	8.06	44	27	17	14	17,300	935
301002	25.0	1,302	30.0	4.0	8.88	37	22	13	10	19,800	861
351002	29.5	1,735	35.0	4.0	9.69	32	18	10	7	22,300	811
401002	34.0	2,246	40.0	4.0	10.50	28	15	7	5	24,800	775

### GENERAL INFORMATION

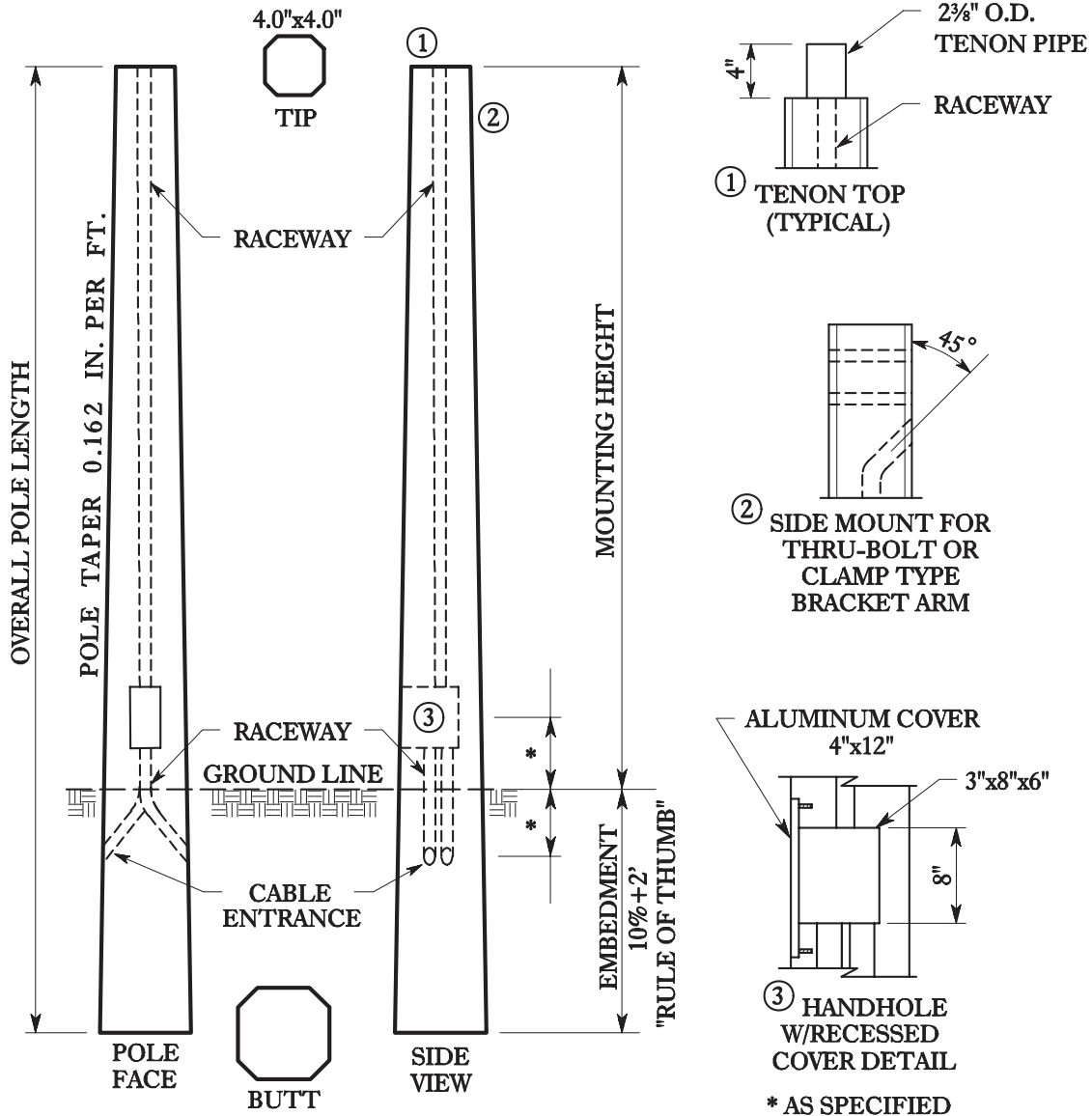
1. Different colors, finishes and exposed aggregates are available upon request.
2. Longer lengths of poles available upon request.
3. All corners are chamfered.
4. 7,000 PSI concrete is standard; higher strengths are available if required.
5. STRENGTH: In most cases a higher ground line moment and a higher breaking strength and EPA can be attained without going to a larger pole.
6. EFFECTIVE PROJECTED AREA (EPA): Lonestar Prestress Mfg. concrete poles and mounting arms have been designed in accordance with accepted engineering practices to be structurally capable of withstanding wind loads and velocity pressure up to 140 MPH (gust speed) per ASCE 7-02. Poles to meet higher wind loads are available.
7. HOLES: Holes are precast to meet your specifications and requirements for mounting attachments, most any desired arrangement can be provided. Contact Lonestar Prestress Mfg. for any questions about field drilling light poles.
8. INSTALLATION: Lonestar Prestress Mfg. concrete poles are designed for setting directly into the ground, without the use of precast foundations, similar to the setting of wood poles. After the hole is drilled, the pole is set and plumbed, the earth is then backfilled and tamped. The depth is dependent on the nature of the soil and the anticipated load. Where it is impossible to embed the poles in the ground, such as on bridges or overpasses, a bolt-down base plate is available.
9. To specify a base plate for base mounted poles add the suffix BP to catalog numbers. Customer to supply the bolt circle drawings or template.



## Type I Typical Details

POLE	BUTT
15 FT.	6.44"x6.44"
20 FT.	7.25"x7.25"
25 FT.	8.06"x8.06"
30 FT.	8.88"x8.88"
35 FT.	9.69"x9.69"
40 FT.	10.50"x10.50"

- WE ARE NOT RESTRICTED TO THESE STANDARD DETAILS AND WELCOME ANY SPECIAL DESIGNS. YOU MAY USE THE STANDARD DRAWING TO MARK UP AND SEND TO YOUR SALES REPRESENTATIVE OR SEND DIRECTLY TO US.
- CABLE ENTRANCE AVAILABLE WITH CONDUIT COUPLINGS.



## Type II Technical Chart

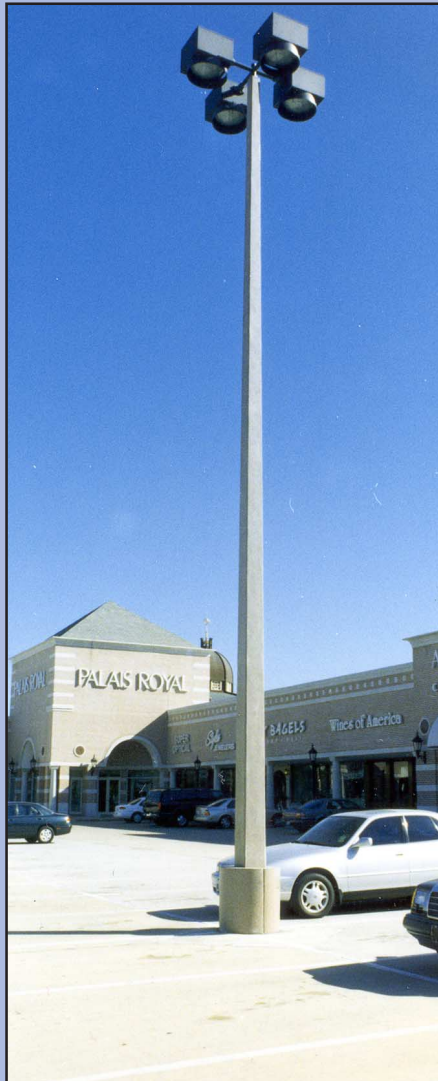
Used for Steet Lighting, Parking Lot and Security Lighting, Recreational and Industrial Lighting

### Direct Embedment

CATALOG NUMBER SMOOTH GRAY	MOUNTING HEIGHT (Ft.)	POLE WEIGHT (Lbs.)	OVERALL LENGTH (Ft.)	POLE SIZE (In.)		EPA AT POLE TIP (Sq. Ft.)				ULTIMATE GROUNDLINE MOMENT (Ft. Lbs.)	BREAKING LOAD 2 Ft. FROM TIP (Lbs.)
				TIP	BUTT	90 MPH	110 MPH	130 MPH	140 MPH		
252002	20.5	1,667	25.0	6.0	10.06	102	65	44	37	38,100	2,059
302002	25.0	2,220	30.0	6.0	10.88	88	55	36	30	43,100	1,873
352002	29.5	2,863	35.0	6.0	11.69	77	47	30	24	47,900	1,741
402002	34.0	3,601	40.0	6.0	12.50	68	40	25	19	52,900	1,653
452002	38.5	4,442	45.0	6.0	13.31	61	35	20	15	57,700	1,580
502002	43.0	5,392	50.0	6.0	14.13	54	29	15	10	62,500	1,524
552002	47.5	6,537	55.0	6.0	14.94	98	58	35	27	114,900	2,525
602002	52.0	7,732	60.0	6.0	15.75	94	55	32	24	127,000	2,540
652002	56.5	9,055	65.0	6.0	16.56	89	50	28	20	137,900	2,530
702002	61.0	10,514	70.0	6.0	17.38	84	45	24	16	147,700	2,503

### GENERAL INFORMATION

1. Different colors, finishes and exposed aggregates are available upon request.
2. Longer lengths of poles available upon request.
3. All corners are chamfered.
4. 7,000 PSI concrete is standard; higher strengths are available if required.
5. STRENGTH: In most cases a higher ground line moment and a higher breaking strength and EPA can be attained without going to a larger pole.
6. EFFECTIVE PROJECTED AREA (EPA): Lonestar Prestress Mfg. concrete poles and mounting arms have been designed in accordance with accepted engineering practices to be structurally capable of withstanding wind loads and velocity pressure up to 140 MPH (gust speed) per ASCE 7-02. Poles to meet higher wind loads are available.
7. HOLES: Holes are precast to meet your specifications and requirements for mounting attachments, most any desired arrangement can be provided. Contact Lonestar Prestress Mfg. for any questions about field drilling light poles.
8. INSTALLATION: Lonestar Prestress Mfg. concrete poles are designed for setting directly into the ground, without the use of precast foundations, similar to the setting of wood poles. After the hole is drilled, the pole is set and plumbed, the earth is then backfilled and tamped. The depth is dependent on the nature of the soil and the anticipated load. Where it is impossible to embed the poles in the ground, such as on bridges or overpasses, a bolt-down base plate is available.
9. To specify a base plate for base mounted poles add the suffix BP to catalog numbers. Customer to supply the bolt circle drawings or template.

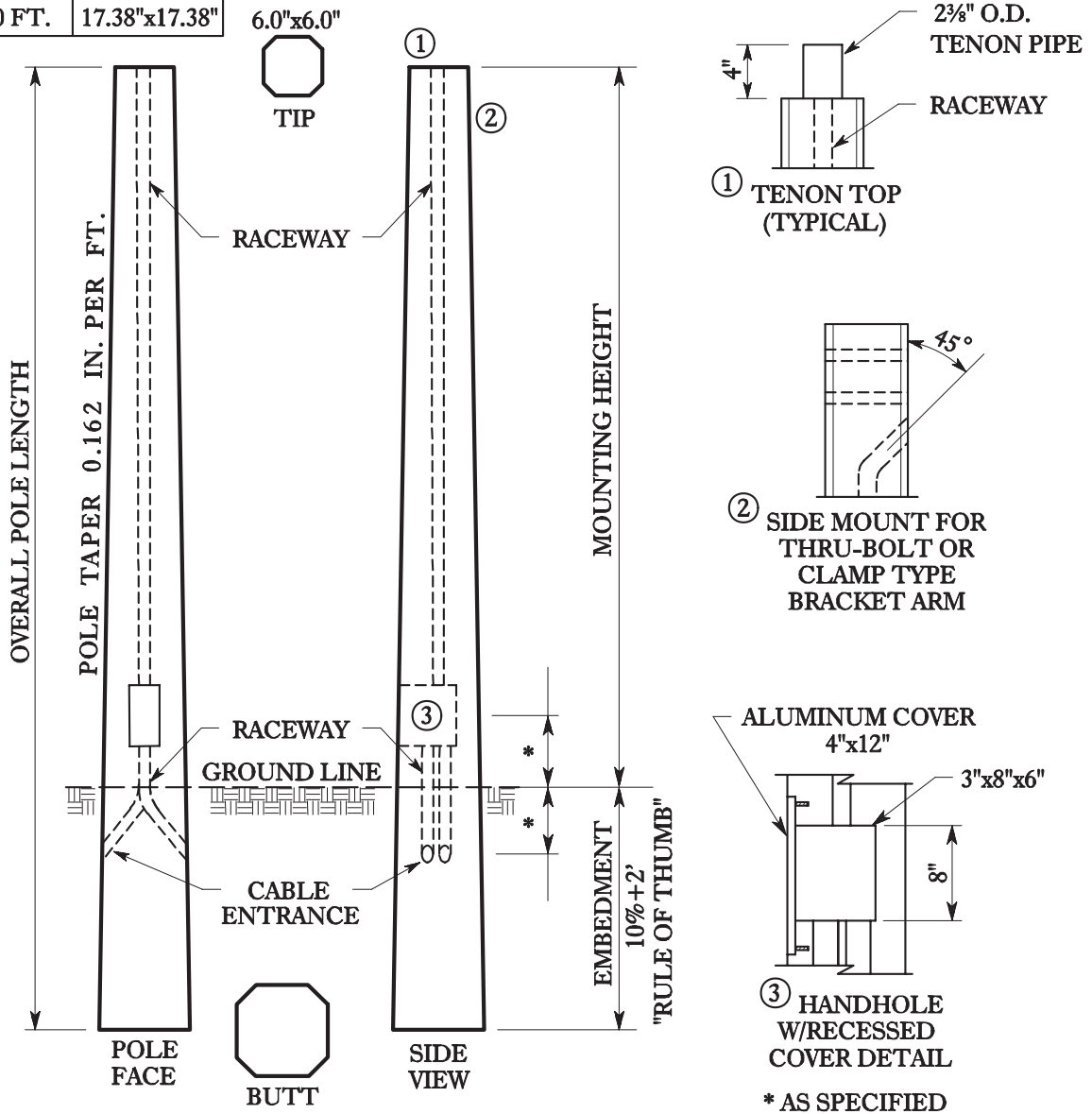


POLE	BUTT
25 FT	10.06"x10.06"
30 FT.	10.88"x10.88"
35 FT.	11.69"x11.69"
40 FT.	12.50"x12.50"
45 FT.	13.31"x13.31"
50 FT.	14.13"x14.13"
55 FT.	14.94"x14.94"
60 FT.	15.75"x15.75"
65 FT.	16.56"x16.56"
70 FT.	17.38"x17.38"

## Type II Typical Details

- WE ARE NOT RESTRICTED TO THESE STANDARD DETAILS AND WELCOME ANY SPECIAL DESIGNS. YOU MAY USE THE STANDARD DRAWING TO MARK UP AND SEND TO YOUR SALES REPRESENTATIVE OR SEND DIRECTLY TO US.

- CABLE ENTRANCE AVAILABLE WITH CONDUIT COUPLINGS.





## Type I Octagonal Technical Chart

Used for Street Lighting, Parking Lot and Security Lighting, Recreational and Industrial Lighting

### Direct Embedment

CATALOG NUMBER SMOOTH GRAY	MOUNTING HEIGHT (Ft.)	POLE WEIGHT (Lbs.)	OVERALL LENGTH (Ft.)	POLE SIZE (In.)		EPA AT POLE TIP (Sq. Ft.)				ULTIMATE GROUNDLINE MOMENT (Ft. Lbs.)	BREAKING LOAD 2 Ft. FROM TIP (Lbs.)
				TIP	BUTT	90 MPH	110 MPH	130 MPH	140 MPH		
151012	11.5	450	15.0	5.0	6.83	49	31	21	18	9,400	989
201012	16.0	668	20.0	5.0	7.44	41	26	17	14	11,600	828
251012	20.5	924	25.0	5.0	8.05	34	20	13	10	13,700	740
301012	25.0	1,221	30.0	5.0	8.66	29	17	10	7	15,900	691
351012	29.5	1,565	35.0	5.0	9.27	24	13	7	5	17,700	643
401012	34.0	1,956	40.0	5.0	9.88	20	10	4	2	19,400	

606

### GENERAL INFORMATION

1. Different colors, finishes and exposed aggregates are available upon request.
2. Longer lengths of poles available upon request.
3. All corners are chamfered.
4. 7,000 PSI concrete is standard; higher strengths are available if required.
5. STRENGTH: In most cases a higher ground line moment and a higher breaking strength and EPA can be attained without going to a larger pole.
6. EFFECTIVE PROJECTED AREA (EPA): Lonestar Prestress Mfg. concrete poles and mounting arms have been designed in accordance with accepted engineering practices to be structurally capable of withstanding wind loads and velocity pressure up to 140 MPH (gust speed) per ASCE 7-02. Poles to meet higher wind loads are available.
7. HOLES: Holes are precast to meet your specifications and requirements for mounting attachments, most any desired arrangement can be provided. Contact Lonestar Prestress Mfg. for any questions about field drilling light poles.
8. INSTALLATION: Lonestar Prestress Mfg. concrete poles are designed for setting directly into the ground, without the use of precast foundations, similar to the setting of wood poles. After the hole is drilled, the pole is set and plumbed, the earth is then backfilled and tamped. The depth is dependent on the nature of the soil and the anticipated load. Where it is impossible to embed the poles in the ground, such as on bridges or overpasses, a bolt-down base plate is available.
9. To specify a base plate for base mounted poles add the suffix BP to catalog numbers. Customer to supply the bolt circle drawings or template.



POLE	BUTT
15 FT.	6.83"x6.83"
20 FT.	7.44"x7.44"
25 FT.	8.05"x8.05"
30 FT.	8.66"x8.66"
35 FT.	9.27"x9.27"
40 FT.	9.88"x9.88"

## Type I Octagon Typical Details

- WE ARE NOT RESTRICTED TO THESE STANDARD DETAILS AND WELCOME ANY SPECIAL DESIGNS. YOU MAY USE THE STANDARD DRAWING TO MARK UP AND SEND TO YOUR SALES REPRESENTATIVE OR SEND DIRECTLY TO US.
- CABLE ENTRANCE AVAILABLE WITH CONDUIT COUPLINGS.

