

## Type II Technical Chart

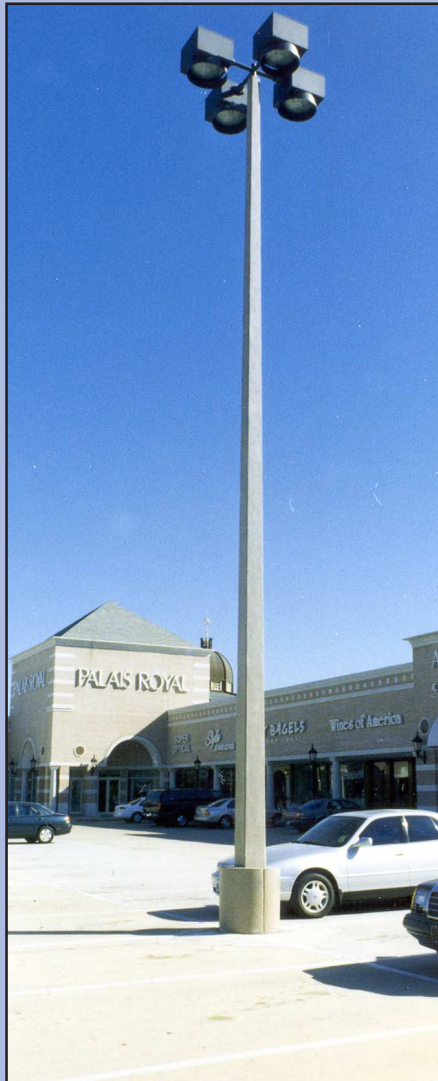
Used for Steet Lighting, Parking Lot and Security Lighting, Recreational and Industrial Lighting

### Direct Embedment

CATALOG NUMBER SMOOTH GRAY	MOUNTING HEIGHT (Ft.)	POLE WEIGHT (Lbs.)	OVERALL LENGTH (Ft.)	POLE SIZE (In.)		EPA AT POLE TIP (Sq. Ft.)				ULTIMATE GROUNDLINE MOMENT (Ft. Lbs.)	BREAKING LOAD 2 Ft. FROM TIP (Lbs.)
				TIP	BUTT	90 MPH	110 MPH	130 MPH	140 MPH		
252002	20.5	1,667	25.0	6.0	10.06	102	65	44	37	38,100	2,059
302002	25.0	2,220	30.0	6.0	10.88	88	55	36	30	43,100	1,873
352002	29.5	2,863	35.0	6.0	11.69	77	47	30	24	47,900	1,741
402002	34.0	3,601	40.0	6.0	12.50	68	40	25	19	52,900	1,653
452002	38.5	4,442	45.0	6.0	13.31	61	35	20	15	57,700	1,580
502002	43.0	5,392	50.0	6.0	14.13	54	29	15	10	62,500	1,524
552002	47.5	6,537	55.0	6.0	14.94	98	58	35	27	114,900	2,525
602002	52.0	7,732	60.0	6.0	15.75	94	55	32	24	127,000	2,540
652002	56.5	9,055	65.0	6.0	16.56	89	50	28	20	137,900	2,530
702002	61.0	10,514	70.0	6.0	17.38	84	45	24	16	147,700	2,503

### GENERAL INFORMATION

1. Different colors, finishes and exposed aggregates are available upon request.
2. Longer lengths of poles available upon request.
3. All corners are chamfered.
4. 7,000 PSI concrete is standard; higher strengths are available if required.
5. STRENGTH: In most cases a higher ground line moment and a higher breaking strength and EPA can be attained without going to a larger pole.
6. EFFECTIVE PROJECTED AREA (EPA): Lonestar Prestress Mfg. concrete poles and mounting arms have been designed in accordance with accepted engineering practices to be structurally capable of withstanding wind loads and velocity pressure up to 140 MPH (gust speed) per ASCE 7-02. Poles to meet higher wind loads are available.
7. HOLES: Holes are precast to meet your specifications and requirements for mounting attachments, most any desired arrangement can be provided. Contact Lonestar Prestress Mfg. for any questions about field drilling light poles.
8. INSTALLATION: Lonestar Prestress Mfg. concrete poles are designed for setting directly into the ground, without the use of precast foundations, similar to the setting of wood poles. After the hole is drilled, the pole is set and plumbed, the earth is then backfilled and tamped. The depth is dependent on the nature of the soil and the anticipated load. Where it is impossible to embed the poles in the ground, such as on bridges or overpasses, a bolt-down base plate is available.
9. To specify a base plate for base mounted poles add the suffix BP to catalog numbers. Customer to supply the bolt circle drawings or template.

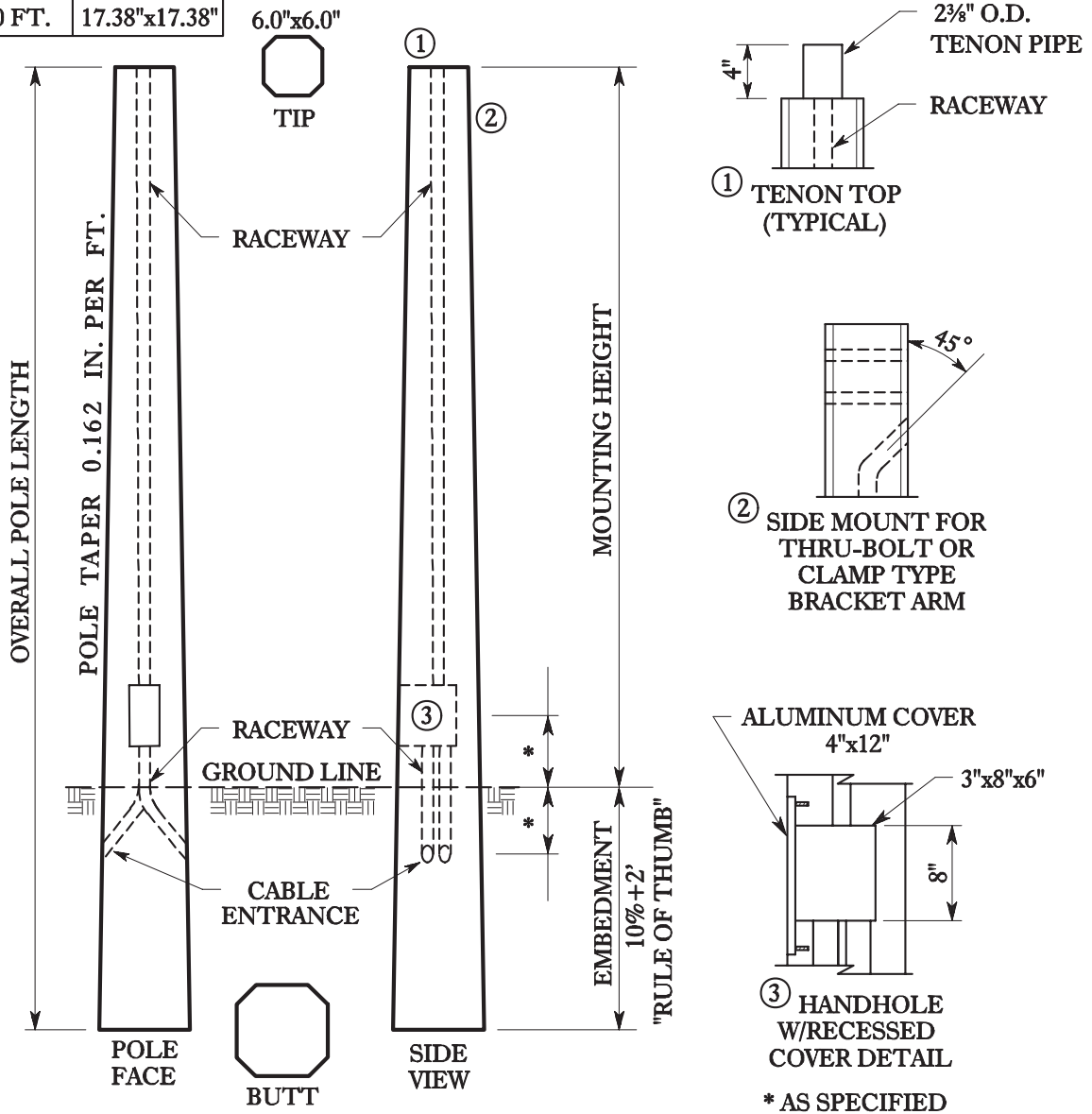


POLE	BUTT
25 FT	10.06"x10.06"
30 FT.	10.88"x10.88"
35 FT.	11.69"x11.69"
40 FT.	12.50"x12.50"
45 FT.	13.31"x13.31"
50 FT.	14.13"x14.13"
55 FT.	14.94"x14.94"
60 FT.	15.75"x15.75"
65 FT.	16.56"x16.56"
70 FT.	17.38"x17.38"

## Type II Typical Details

- WE ARE NOT RESTRICTED TO THESE STANDARD DETAILS AND WELCOME ANY SPECIAL DESIGNS. YOU MAY USE THE STANDARD DRAWING TO MARK UP AND SEND TO YOUR SALES REPRESENTATIVE OR SEND DIRECTLY TO US.

- CABLE ENTRANCE AVAILABLE WITH CONDUIT COUPLINGS.



## Type III Technical Chart

Used for Recreational, Industrial Lighting and Distribution  
**Direct Embedment**

CATALOG NUMBER SMOOTH GRAY	MOUNTING HEIGHT (Ft.)	POLE WEIGHT (Lbs.)	OVERALL LENGTH (Ft.)	POLE SIZE (In.)		EPA AT POLE TIP (Sq. Ft.)				ULTIMATE GROUNDLINE MOMENT (Ft. Lbs.)	BREAKING LOAD 2 Ft. FROM TIP (Lbs.)
				TIP	BUTT	90 MPH	110 MPH	130 MPH	140 MPH		
253002	20.5	1,703	25.0	6.0	10.06	132	85	58	49	48,200	2,605
303002	25.0	2,264	30.0	6.0	10.88	121	77	52	43	57,700	2,508
353002	29.5	2,914	35.0	6.0	11.69	114	72	48	39	67,800	2,465
403002	34.0	3,660	40.0	6.0	12.50	109	68	44	36	78,600	2,456
453002	38.5	4,508	45.0	6.0	13.31	105	64	41	33	90,400	2,476
503002	43.0	5,465	50.0	6.0	14.13	102	61	38	30	102,500	2,500
553002	47.5	6,618	55.0	6.0	14.94	130	79	50	40	145,100	3,189
603002	52.0	7,820	60.0	6.0	15.75	129	78	48	38	163,800	3,276
653002	56.5	9,151	65.0	6.0	16.56	128	76	46	36	183,100	3,359
703002	61.0	10,617	70.0	6.0	17.38	126	74	44	33	201,800	3,420

### GENERAL INFORMATION

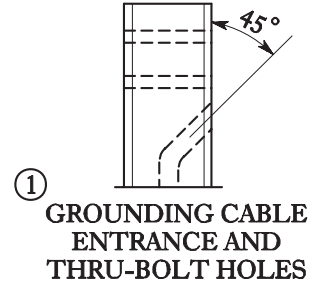
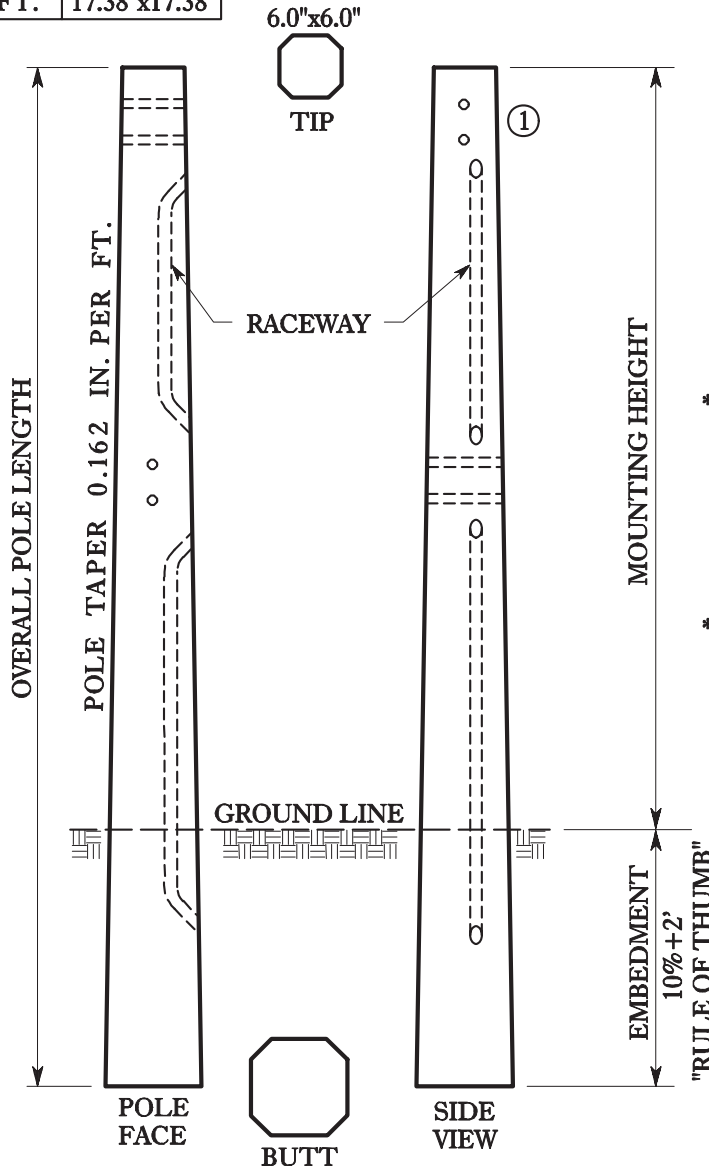
1. Different colors, finishes and exposed aggregates are available upon request.
2. All corners are chamfered.
3. 7,000 PSI concrete is standard; higher strengths are available if required.
4. STRENGTH: In most cases a higher ground line moment and a higher breaking strength and EPA can be attained without going to a larger pole.
5. EFFECTIVE PROJECTED AREA (EPA): Lonestar Prestress Mfg. concrete poles and mounting arms have been designed in accordance with accepted engineering practices to be structurally capable of withstanding wind loads and velocity pressure up to 140 MPH (gust speed) per ASCE 7-02. Poles to meet higher wind loads are available.
6. HOLES: Holes are precast to meet your specifications and requirements for mounting attachments, most any desired arrangement can be provided. The prestressing cables are located so that field drilling is permitted on the centerline of either axis. Field drilling can be accomplished with the use of rotary hammer drills.
7. INSTALLATION: Lonestar Prestress Mfg. concrete poles are designed for setting directly into the ground, without the use of precast foundations, similar to the setting of wood poles. After the hole is drilled, the pole is set and plumbed, the earth is then backfilled and tamped. The depth is dependent on the nature of the soil and the anticipated load. Where it is impossible to embed the poles in the ground, such as on bridges or overpasses, a bolt-down base plate is available.
8. To specify a base plate for base mounted poles add the suffix BP to catalog numbers. Customer to supply the bolt circle drawings or template.



POLE	BUTT
25 FT.	10.06"x10.06"
30 FT.	10.88"x10.88"
35 FT.	11.69"x11.69"
40 FT.	12.50"x12.50"
45 FT.	13.31"x13.31"
50 FT.	14.13"x14.13"
55 FT.	14.94"x14.94"
60 FT.	15.75"x15.75"
65 FT.	16.56"x16.56"
70 FT.	17.38"x17.38"

## Type III Typical Details

- WE ARE NOT RESTRICTED TO THESE STANDARD DETAILS AND WELCOME ANY SPECIAL DESIGNS. YOU MAY USE THE STANDARD DRAWING TO MARK UP AND SEND TO YOUR SALES REPRESENTATIVE OR SEND DIRECTLY TO US.
- CABLE ENTRANCE AVAILABLE WITH CONDUIT COUPLINGS.

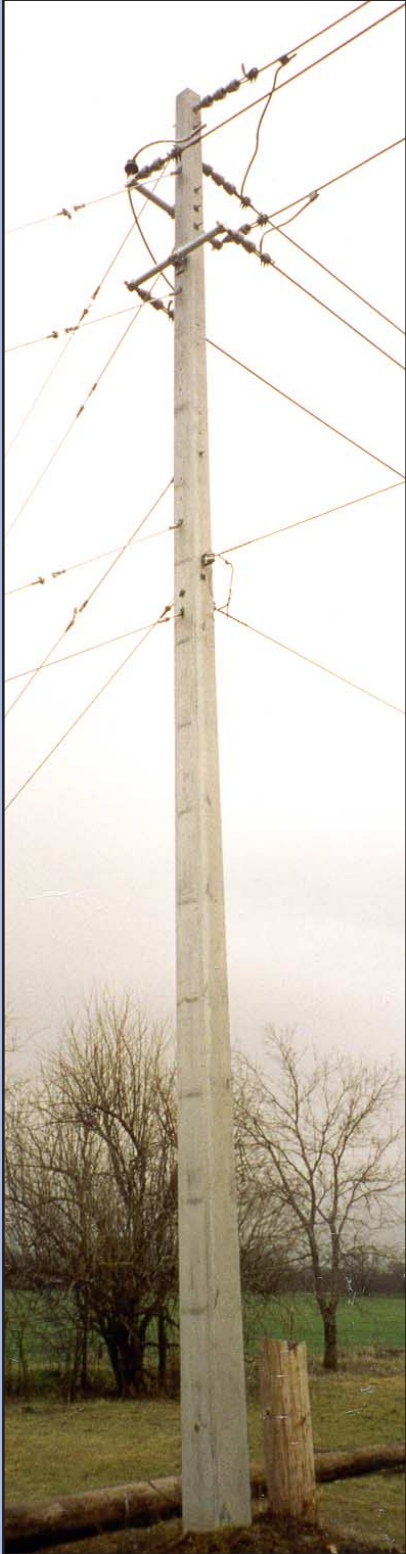


\* INDICATE BOLT SIZE AND LOCATION OF HOLE(S) WHEN USING A BOLT-ON BRACKET OR OTHER BOLT-ON POLE LI HARDWARE.

\* HOLES CAN BE PRECAST FOR OVERHEAD DISTRIBUTION EQUIPMENT OR VARIOUS HARDWARE ATTACHMENTS AS SPECIFIED BY CUSTOMER.







## Type IV Technical Chart

Used for Power Distribution - Heavy Duty

### Direct Embedment

CATALOG NUMBER SMOOTH GRAY	MOUNTING HEIGHT (Ft.)	POLE WEIGHT (Lbs.)	OVERALL LENGTH (Ft.)	POLE SIZE (In.)		EPA AT POLE TIP (Sq. Ft.)				ULTIMATE GROUNDLINE MOMENT (Ft. Lbs.)	BREAKING LOAD 2 Ft. FROM TIP (Lbs.)
				TIP	BUTT	90 MPH	110 MPH	130 MPH	140 MPH		
254002	20.5	2,424	25.0	7.63	11.69	194	126	87	73	70,200	3,794
304002	25.0	3,213	30.0	7.63	12.50	214	139	96	81	99,300	4,317
354002	29.5	4,068	35.0	7.63	13.31	200	129	88	73	115,300	4,192
404002	34.0	5,032	40.0	7.63	14.13	190	121	81	67	131,800	4,118
454002	38.5	6,111	45.0	7.63	14.94	182	115	76	63	149,400	4,093
504002	43.0	7,312	50.0	7.63	15.75	177	110	72	59	169,200	4,126
554002	47.5	8,642	55.0	7.63	16.56	171	106	68	55	188,400	4,140
604002	52.0	10,107	60.0	7.63	17.38	164	100	63	50	205,900	4,118

### GENERAL INFORMATION

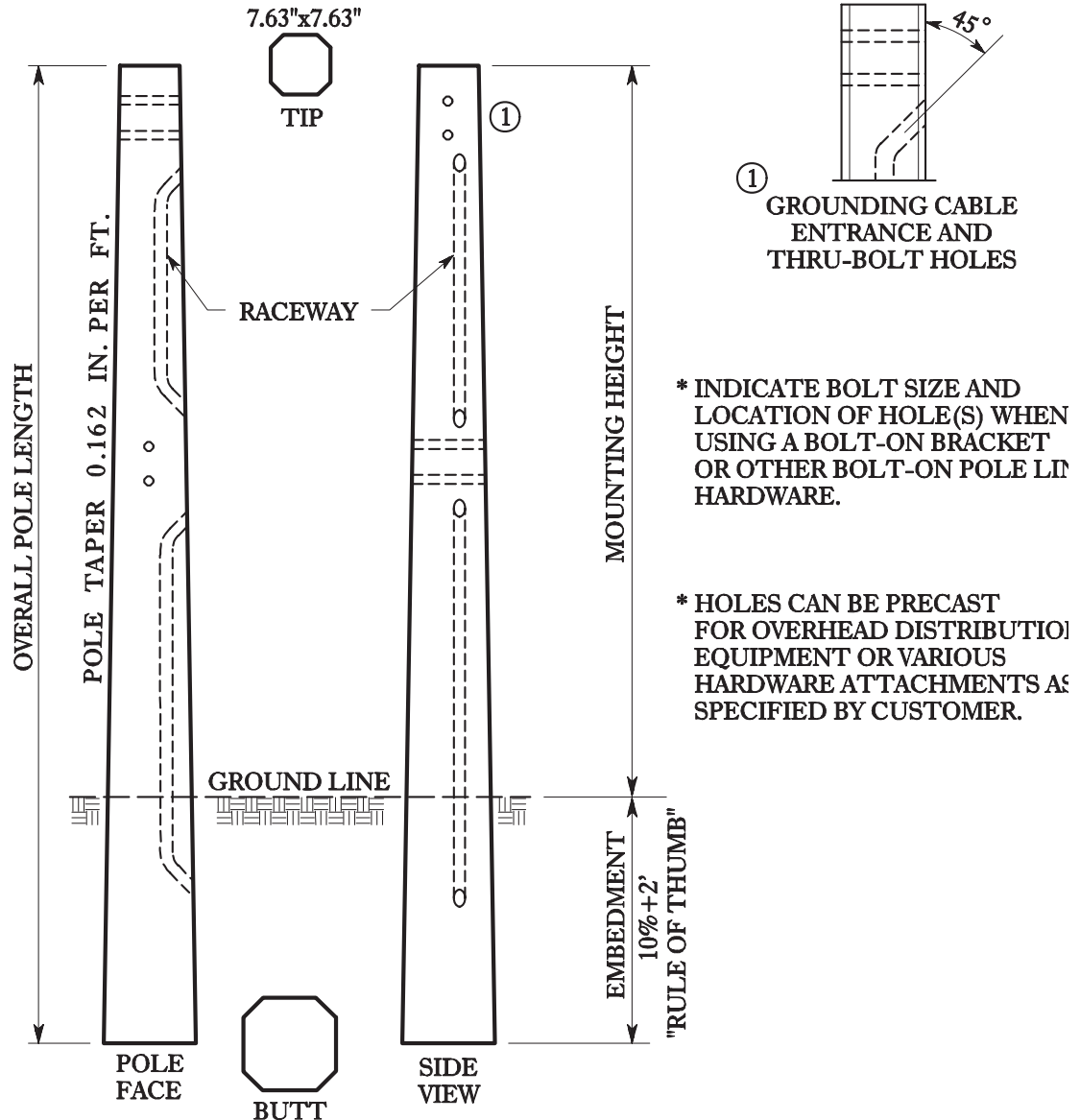
1. Different colors, finishes and exposed aggregates are available upon request.
2. All corners are chamfered.
3. 7,000 PSI concrete is standard; higher strengths are available if required.
4. STRENGTH: In most cases a higher ground line moment and a higher breaking strength and EPA can be attained without going to a larger pole.
5. EFFECTIVE PROJECTED AREA (EPA): Lonestar Prestress Mfg. concrete poles and mounting arms have been designed in accordance with accepted engineering practices to be structurally capable of withstanding wind loads and velocity pressure up to 140 MPH (gust speed) per ASCE 7-02. Poles to meet higher wind loads are available.
6. HOLES: Holes are precast to meet your specifications and requirements for mounting attachments, most any desired arrangement can be provided. The prestressing cables are located so that field drilling is permitted on the centerline of either axis. Field drilling can be accomplished with the use of rotary hammer drills.
7. INSTALLATION: Lonestar Prestress Mfg. concrete poles are designed for setting directly into the ground, without the use of precast foundations, similar to the setting of wood poles. After the hole is drilled, the pole is set and plumbed, the earth is then backfilled and tamped. The depth is dependent on the nature of the soil and the anticipated load. Where it is impossible to embed the poles in the ground, such as on bridges or overpasses, a bolt-down base plate is available.
8. To specify a base plate for base mounted poles add the suffix BP to catalog numbers. Customer to supply the bolt circle drawings or template.



POLE	BUTT
25 FT.	11.69"x11.69"
30 FT.	12.50"x12.50"
35 FT.	13.31"x13.31"
40 FT.	14.13"x14.13"
45 FT.	14.94"x14.94"
50 FT.	15.75"x15.75"
55 FT.	16.56"x16.56"
60 FT.	17.38"x17.38"

## Type IV Typical Details

- WE ARE NOT RESTRICTED TO THESE STANDARD DETAILS AND WELCOME ANY SPECIAL DESIGNS. YOU MAY USE THE STANDARD DRAWING TO MARK UP AND SEND TO YOUR SALES REPRESENTATIVE OR SEND DIRECTLY TO US.
- CABLE ENTRANCE AVAILABLE WITH CONDUIT COUPLINGS.



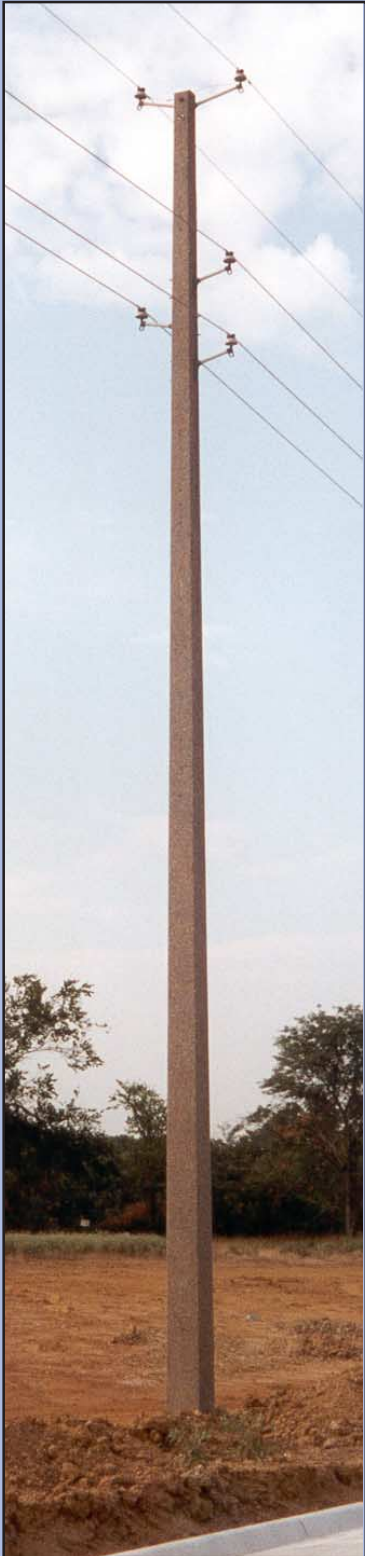
\* INDICATE BOLT SIZE AND LOCATION OF HOLE(S) WHEN USING A BOLT-ON BRACKET OR OTHER BOLT-ON POLE LIT HARDWARE.

\* HOLES CAN BE PRECAST FOR OVERHEAD DISTRIBUTION EQUIPMENT OR VARIOUS HARDWARE ATTACHMENTS AS SPECIFIED BY CUSTOMER.



## Type V Pole Technical Chart

Used for Power Distribution - Light Duty



### Direct Embedment

CATALOG NUMBER SMOOTH GRAY	MOUNTING HEIGHT (Ft.)	POLE WEIGHT (Lbs.)	OVERALL LENGTH (Ft.)	POLE SIZE (In.)		EPA AT POLE TIP (Sq. Ft.)				ULTIMATE GROUNDLINE MOMENT (Ft. Lbs.)	BREAKING LOAD 2 Ft. FROM TIP (Lbs.)
				TIP	BUTT	90 MPH	110 MPH	130 MPH	140 MPH		
505302	43.0	9,031	50.0	9.0	17.13	222	139	92	75	209,800	5,117
555302	47.5	10,595	55.0*	9.0	17.94	207	128	83	67	225,700	4,960
605302	52.0	12,306	60.0*	9.0	18.75	192	117	74	59	239,700	4,794
655302	56.5	14,170	65.0*	9.0	19.56	178	107	66	51	253,300	4,647
705302	61.0	16,194	70.0*	9.0	20.38	166	98	58	44	267,300	4,530
755302	65.5	18,385	75.0*	9.0	21.19	156	89	51	38	281,700	4,436
805302	70.0	20,749	80.0*	9.0	22.00	146	81	44	31	295,900	4,351
855302	74.5	23,293	85.0*	9.0	22.81	134	72	37	24	310,000	4,275
905302	79.0	26,024	90.0*	9.0	23.63	126	65	30	18	324,000	4,207

\* Subject to future availability

### GENERAL INFORMATION

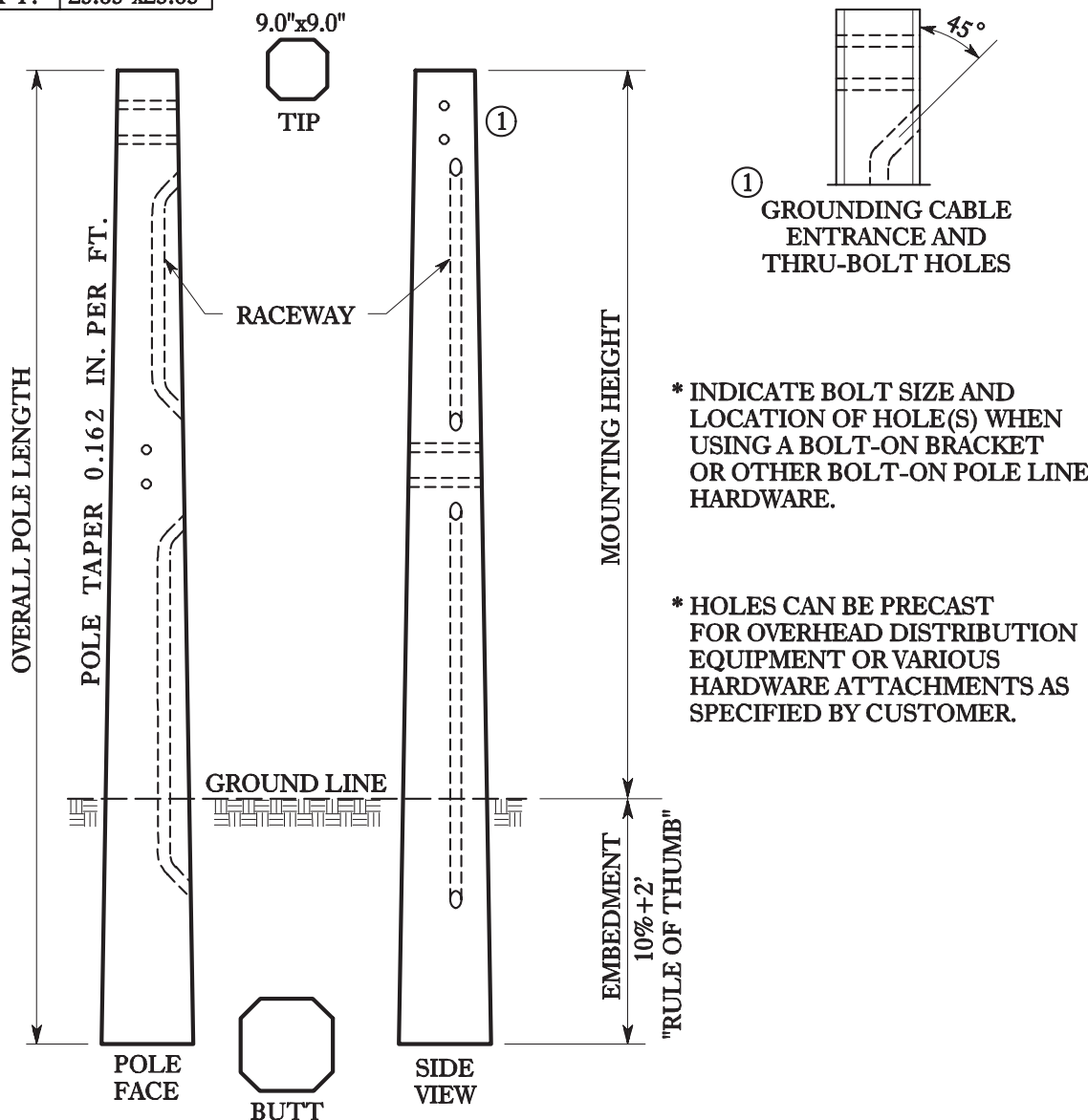
1. Different colors, finishes and exposed aggregates are available upon request.
2. All corners are chamfered.
3. 7,000 PSI concrete is standard; higher strengths are available if required.
4. STRENGTH: In most cases a higher ground line moment and a higher breaking strength and EPA can be attained without going to a larger pole.
5. EFFECTIVE PROJECTED AREA (EPA): Lonestar Prestress Mfg. concrete poles and mounting arms have been designed in accordance with accepted engineering practices to be structurally capable of withstanding wind loads and velocity pressure up to 140 MPH (gust speed) per ASCE 7-02. Poles to meet higher wind loads are available.
6. HOLES: Holes are precast to meet your specifications and requirements for mounting attachments, most any desired arrangement can be provided. The prestressing cables are located so that field drilling is permitted on the centerline of either axis. Field drilling can be accomplished with the use of rotary hammer drills.
7. INSTALLATION: Lonestar Prestress Mfg. concrete poles are designed for setting directly into the ground, without the use of precast foundations, similar to the setting of wood poles. After the hole is drilled, the pole is set and plumbed, the earth is then backfilled and tamped. The depth is dependent on the nature of the soil and the anticipated load. Where it is impossible to embed the poles in the ground, such as on bridges or overpasses, a bolt-down base plate is available.
8. To specify a base plate for base mounted poles add the suffix BP to catalog numbers. Customer to supply the bolt circle drawings or template.



POLE	BUTT
50 FT.	17.13"x17.13"
55 FT.	17.94"x17.94"
60 FT.	18.75"x18.75"
65 FT.	19.56"x19.56"
70 FT.	20.38"x20.38"
75 FT.	21.19"x21.19"
80 FT.	22.00"x22.00"
85 FT.	22.81"x22.81"
90 FT.	23.63"x23.63"

## Type V-LD Typical Details

- WE ARE NOT RESTRICTED TO THESE STANDARD DETAILS AND WELCOME ANY SPECIAL DESIGNS. YOU MAY USE THE STANDARD DRAWING TO MARK UP AND SEND TO YOUR SALES REPRESENTATIVE OR SEND DIRECTLY TO US.
- CABLE ENTRANCE AVAILABLE WITH CONDUIT COUPLINGS.



\* INDICATE BOLT SIZE AND LOCATION OF HOLE(S) WHEN USING A BOLT-ON BRACKET OR OTHER BOLT-ON POLE LINE HARDWARE.

\* HOLES CAN BE PRECAST FOR OVERHEAD DISTRIBUTION EQUIPMENT OR VARIOUS HARDWARE ATTACHMENTS AS SPECIFIED BY CUSTOMER.

