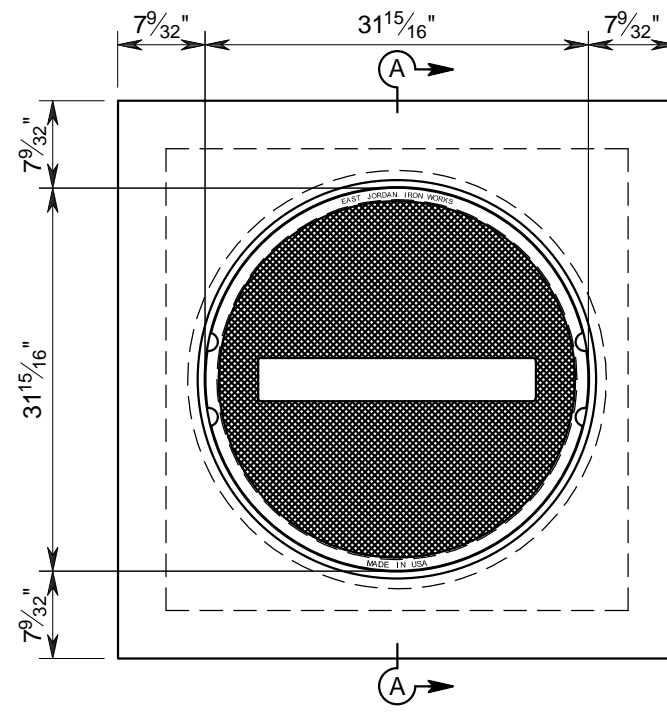
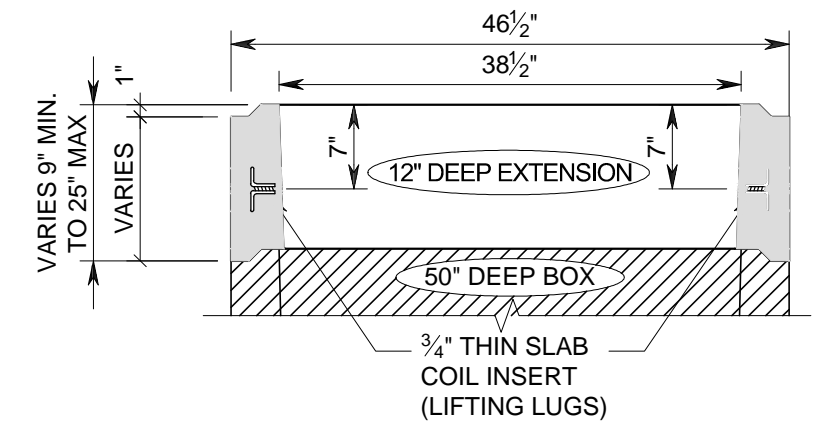


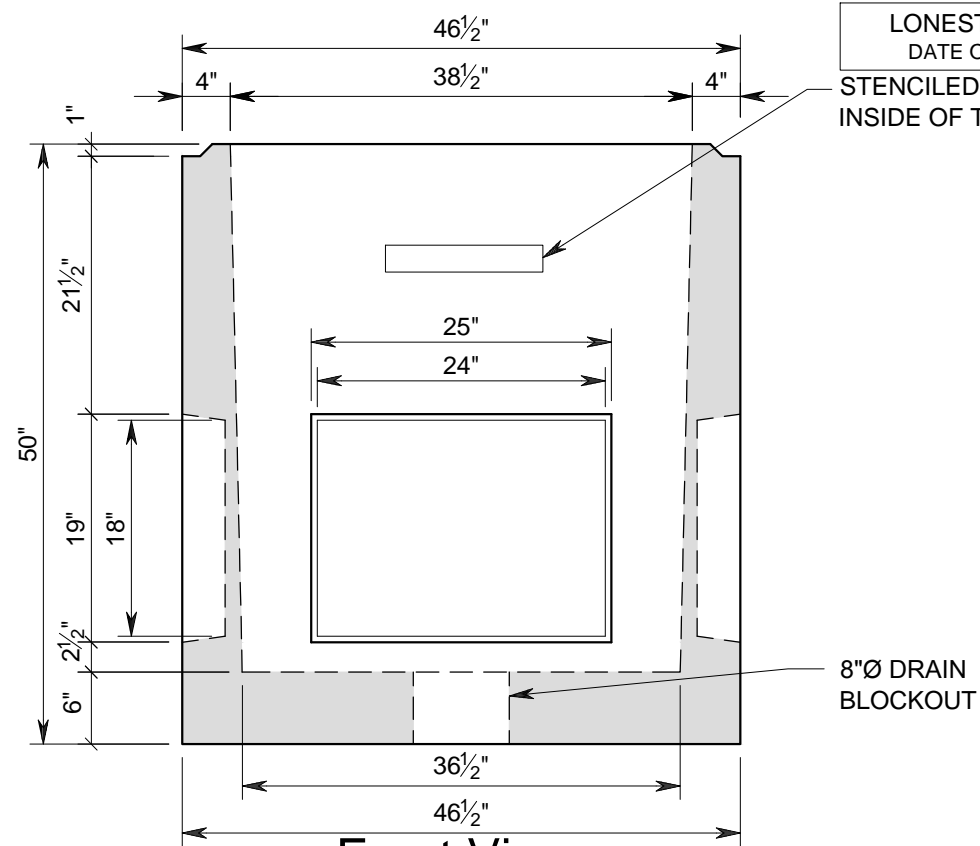
Top View w/o Cover



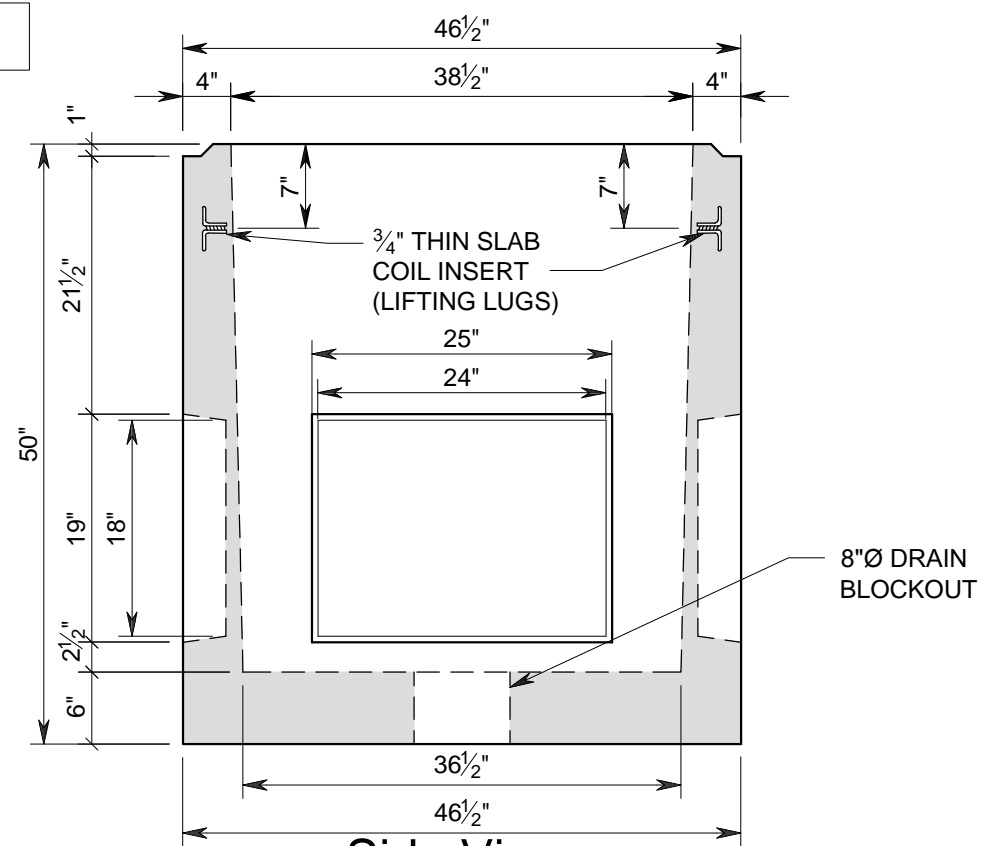
Top View With Cover



BOX EXTENSION
SIDE VIEW



Front View



Side View

LONESTAR PRESTRESS
DATE OF MANUFACTURE
STENCILED ON THE
INSIDE OF THE BOX WALL.

SPECIFICATIONS	
CONCRETE	SHALL HAVE A MINIMUM OF 6,000 PSI CONCRETE STRENGTH IN 28 DAYS.
REINFORCEMENT	ASTM A-615 GRADE 60
LOADING	DESIGNED FOR AASHTO H-20 LOADING. WALL LOADING: 70 PCF .
C.I. CASTINGS	ASTM A 48 CLASS 30/35

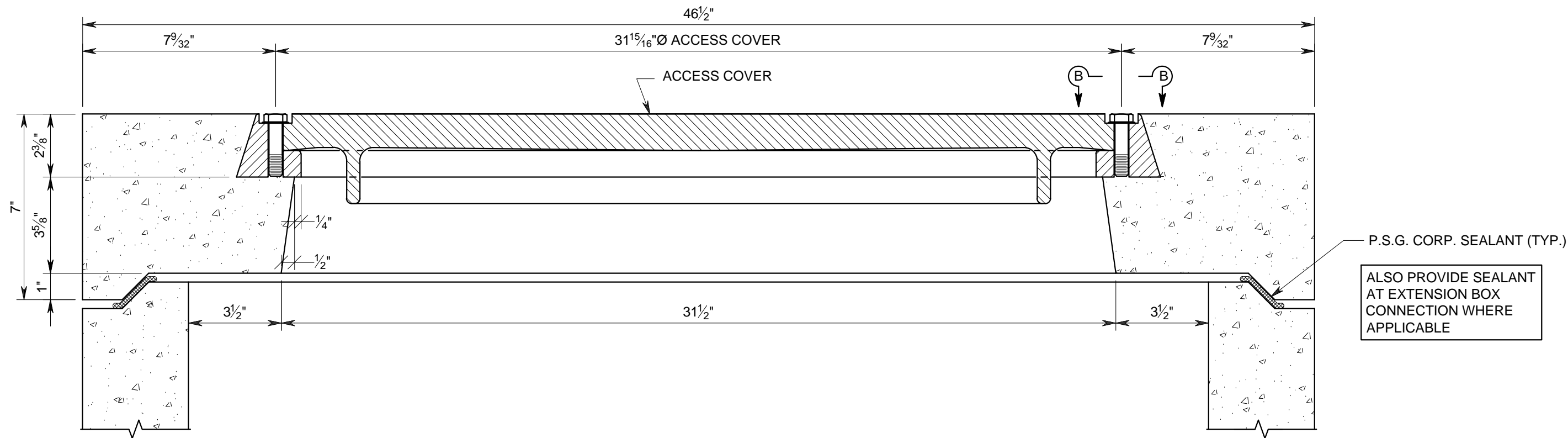
3'x3' BASIC PULLBOX

PROPRIETARY AND CONFIDENTIAL RIGHTS ARE INCLUDED IN THE INFORMATION DISCLOSED HEREIN. NEITHER THIS DOCUMENT NOR THE INFORMATION DISCLOSED HEREIN SHALL BE REPRODUCED OR TRANSFERRED TO OTHER DOCUMENTS OR BE USED OR DISCLOSED TO OTHERS FOR MANUFACTURING OR FOR ANY PURPOSE EXCEPT AS SPECIFICALLY AUTHORIZED IN WRITING BY LONESTAR PRESTRESS MFG., INC. TEXAS PROFESSIONAL ENGINEERS REG. NO. F-9055.



9316 REID LAKE DR.
Houston, TX 77064
www.lonestarprestress.com
Tel: (713) 896-0994
Fax: (713) 896-0762

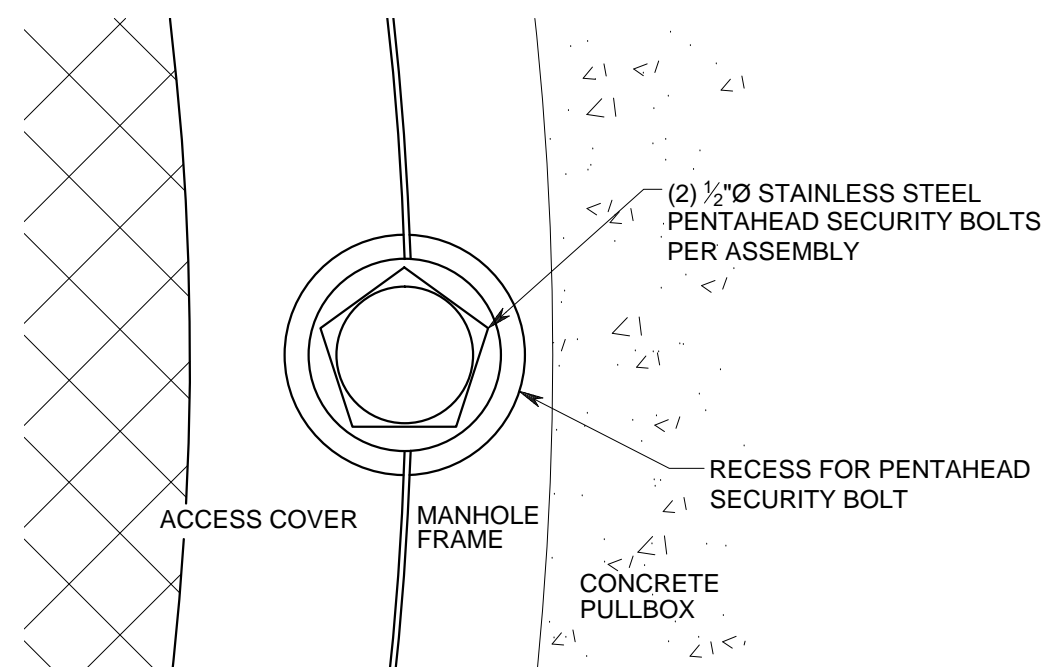
LPMI			
SHEET: 1 OF 2	FILE: 3xxx 3x3 Basic Pullbox.dwg		
SCALE: 3/4" = 1'-0"	DATE: 5/7/14	JOB: 3XXX	
DSN: BBB	DRWN: BD	CHKD: TFS	QTY: XX
3'x3'x4' BASIC PULLBOX			
JOB NAME			



P.S.G. CORP. SEALANT (TYP.)

ALSO PROVIDE SEALANT AT EXTENSION BOX CONNECTION WHERE APPLICABLE

Section A-A
SCALE: 3" = 1'-0"



View B-B
SCALE: 1' = 1'-0"

BOX WEIGHTS

	WEIGHT	CU.YDS
BOX:	3,673	0.91
TOP:	733	0.18
RING:	112	-
COVER:	296	-
TOTAL:	4,814	1.09

3'x3' ACCESS COVER SECTION

PROPRIETARY AND CONFIDENTIAL RIGHTS ARE INCLUDED IN THE INFORMATION DISCLOSED HEREIN. NEITHER THIS DOCUMENT NOR THE INFORMATION DISCLOSED HEREIN SHALL BE REPRODUCED OR TRANSFERRED TO OTHER DOCUMENTS OR BE USED OR DISCLOSED TO OTHERS FOR MANUFACTURING OR FOR ANY PURPOSE EXCEPT AS SPECIFICALLY AUTHORIZED IN WRITING BY LONESTAR PRESTRESS MFG., INC. TEXAS PROFESSIONAL ENGINEERS REG. NO. F-9055.



9316 REID LAKE DR.
Houston, TX 77064
www.lonestarprestress.com
Tel: (713) 896-0994
Fax: (713) 896-0762

LPMI			
SHEET: 2 OF 2	FILE: 3xxx 3x3 Basic Pullbox.dwg		
SCALE: AS SHOWN	DATE: 5/7/14	JOB: 3XXX	
DSN: BBB	DRWN: BD	CHKD: TFS	QTY: XX
3'x3'x4' BASIC PULLBOX			
JOB NAME			