

Part No. 966947

Four Foot Reach

Arm Dimensions:
A=44", B=36", C=19.5"

Part No. 966957

Five Foot Reach

Arm Dimensions:
A=56", B=48", C=20"

Part No. 966967

Six Foot Reach

Arm Dimensions:
A=68.5", B=60", C=20.5"

Part No. 966977

Seven Foot Reach

Arm Dimensions:
A=80.5", B=72", C=20.5"

Part No. 967904

Four Foot Reach

Arm Dimensions:
A=44", B=36", C=19.5"

Part No. 967905

Five Foot Reach

Arm Dimensions:
A=56", B=48", C=20"

Part No. 967906

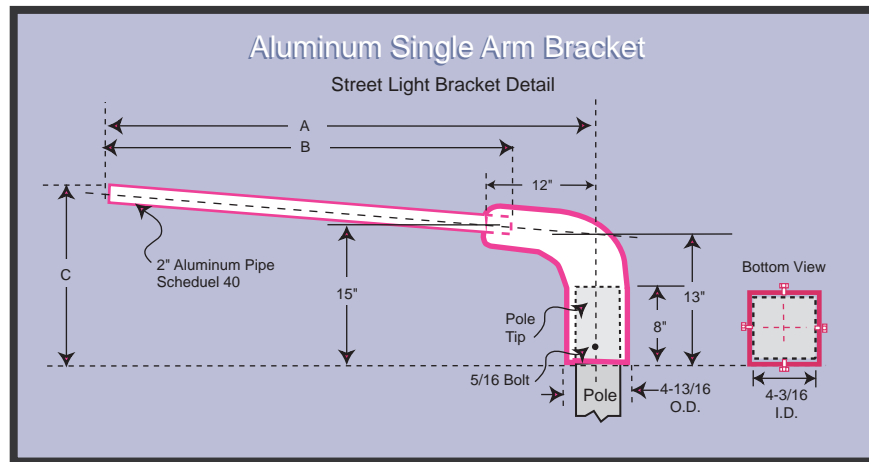
Six Foot Reach

Arm Dimensions:
A=68.5", B=60", C=20.5"

Part No. 967907

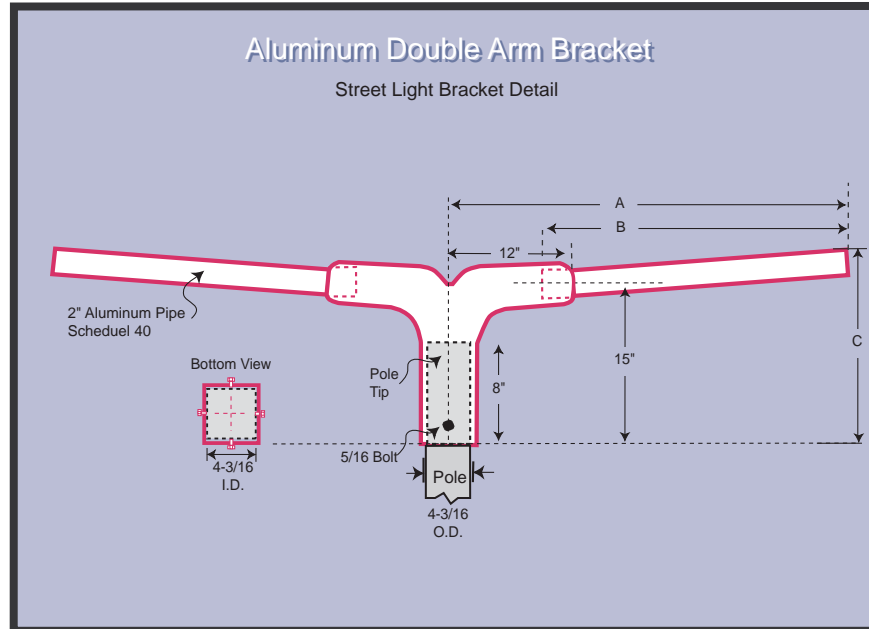
Seven Foot Reach

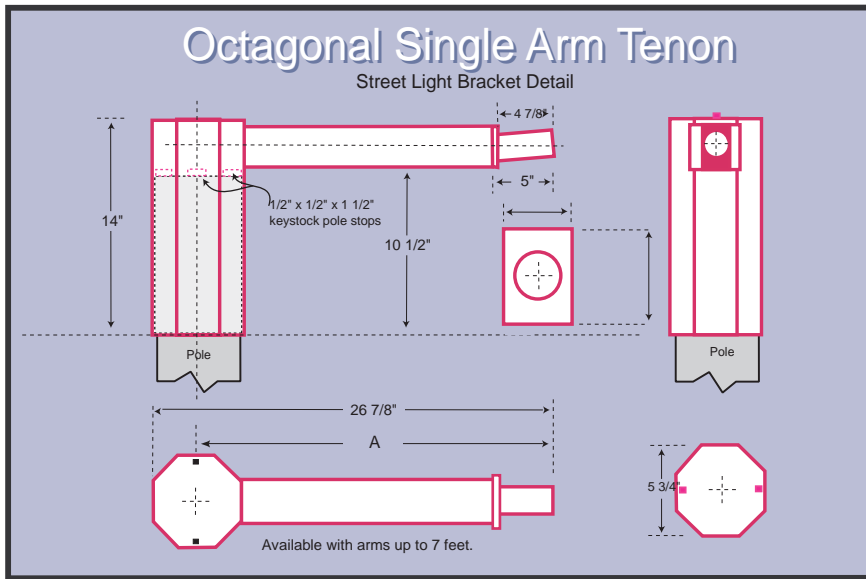
Arm Dimensions:
A=80.5", B=72", C=20.5"



Bracket Specifications: Four, Five, Six & Seven Foot Reach

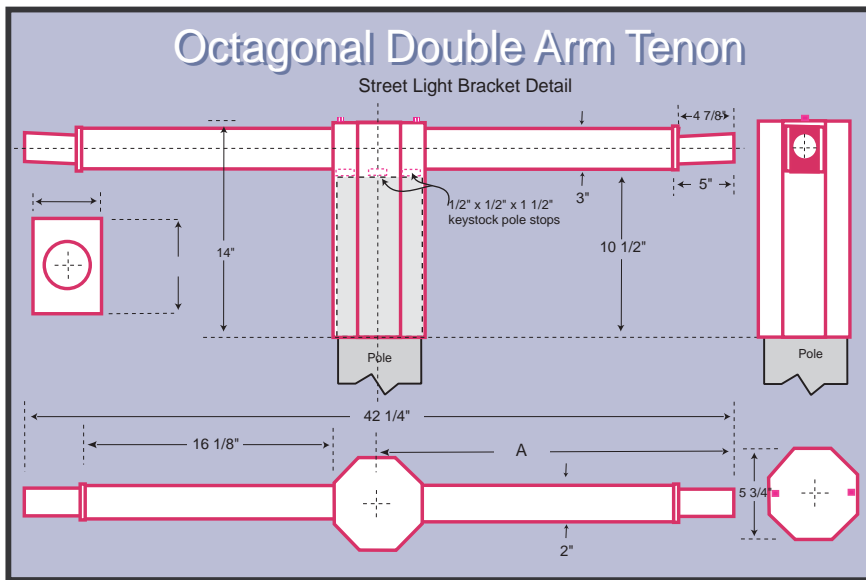
The complete bracket assembly has a uniform finish, and extends (A") from the center of the pole. The cast aluminum arm bracket is an aluminum alloy; #356-T6 Tenzoloy. Support arm is two inch, IPS aluminum pipe, ASA schedule #40, U.S. Aluminum Association #6063-T6.





Bracket Specifications: Four, Five, Six & Seven Foot Reach

The complete bracket assembly has a uniform finish, and extends (A") from the center of the pole. The cast aluminum arm bracket is an aluminum alloy; #356-T6 Tenzoloy. Support arm is two inch, IPS aluminum pipe, ASA schedule #40, U.S. Aluminum Association #6063-T6.



Part No. 966894

Four Foot Reach

A=44"

Part No. 966895

Five Foot Reach

A=56"

Part No. 966896

Six Foot Reach

A=68.5"

Part No. 966897

Seven Foot Reach

A=80.5"

Part No. 968984

Four Foot Reach

A=44"

Each Side

Part No. 968985

Five Foot Reach

A=56"

Each Side

Part No. 968986

Six Foot Reach

A=68.5"

Each Side

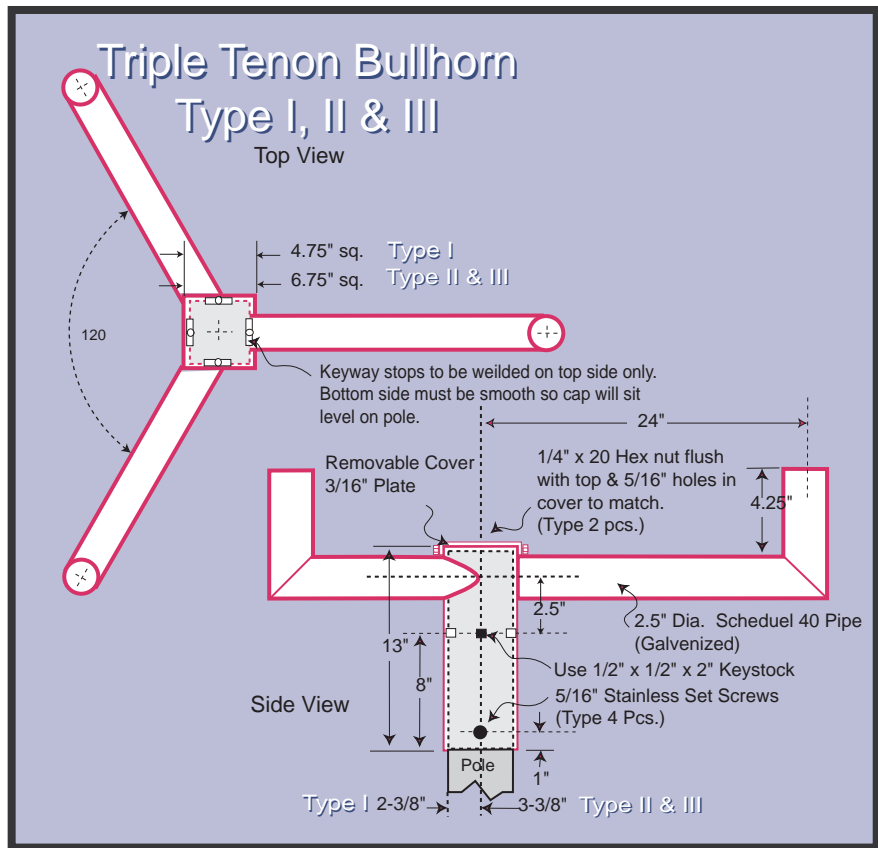
Part No. 968987

Seven Foot Reach

A=80.5"

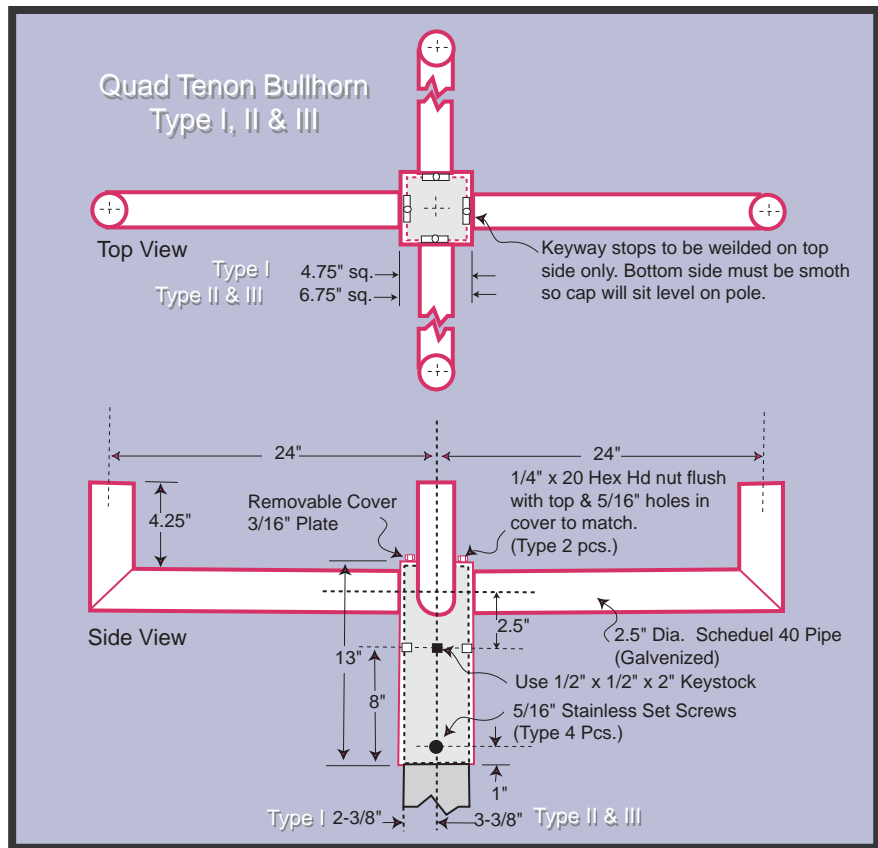
Each Side





Part No. 962879
Type I

Part No. 972879
Type II & III



Part No. 971879
Type I

Part No. 979879
Type II & III

