

## Waterford Technical Chart

### Direct Embedment

CATALOG NUMBER SMOOTH GRAY	MOUNTING HEIGHT (Ft.)	POLE WEIGHT (Lbs.)	OVERALL LENGTH (Ft.)	POLE SIZE (In.)		EPA AT POLE TIP (Sq. Ft.)				ULTIMATE GROUNDLINE MOMENT (Ft. Lbs.)	BREAKING LOAD 2 Ft. FROM TIP (Lbs.)
				TIP	BUTT	90 MPH	110 MPH	130 MPH	140 MPH		
W10001	7.0	430	10.0	5.0	7.5	66	43	30	26	7,552	1,510
W15001	11.5	702	15.0	5.0	7.5	48	31	21	17	9,483	990
W20001	16.0	976	20.0	5.0	7.5	40	24	16	13	11,678	830

### GENERAL INFORMATION

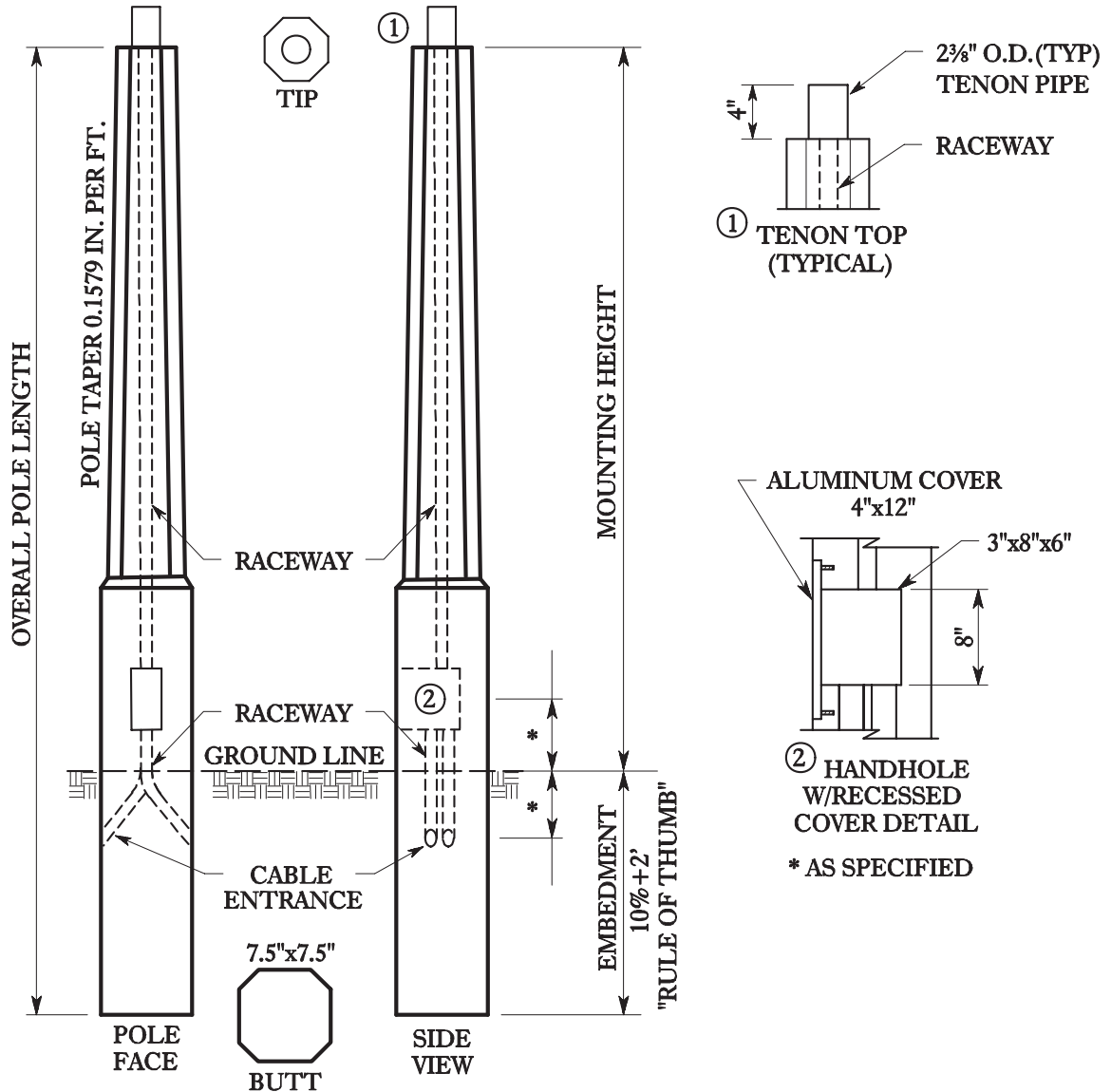
1. Different colors, finishes and exposed aggregates are available upon request.
2. Longer lengths of poles available upon request.
3. All corners are chamfered.
4. 7,000 PSI concrete is standard; higher strengths are available if required.
5. STRENGTH: In most cases a higher ground line moment and a higher breaking strength and EPA can be attained without going to a larger pole.
6. EFFECTIVE PROJECTED AREA (EPA): Lonestar Prestress Mfg. concrete poles and mounting arms have been designed in accordance with accepted engineering practices to be structurally capable of withstanding wind loads and velocity pressure up to 140 MPH (gust speed) per ASCE 7-02. Poles to meet higher wind loads are available.
7. HOLES: Holes are precast to meet your specifications and requirements for mounting attachments, most any desired arrangement can be provided. Contact Lonestar Prestress Mfg. for any questions about field drilling light poles.
8. INSTALLATION: Lonestar Prestress Mfg. concrete poles are designed for setting directly into the ground, without the use of precast foundations, similar to the setting of wood poles. After the hole is drilled, the pole is set and plumbed, the earth is then backfilled and tamped. The depth is dependent on the nature of the soil and the anticipated load. Where it is impossible to embed the poles in the ground, such as on bridges or overpasses, a bolt-down base plate is available.
9. To specify a base plate for base mounted poles add the suffix BP to catalog numbers. Customer to supply the bolt circle drawings or template.



## Waterford Typical Details

POLE	TIP
10 FT.	VARIABLE
15 FT.	VARIABLE
20 FT.	5.0"

- WE ARE NOT RESTRICTED TO THESE STANDARD DETAILS AND WELCOME ANY SPECIAL DESIGNS. YOU MAY USE THE STANDARD DRAWING TO MARK UP AND SEND TO YOUR SALES REPRESENTATIVE OR SEND DIRECTLY TO US.
- CABLE ENTRANCE AVAILABLE WITH CONDUIT COUPLINGS.



## Rochester Technical Chart

### Direct Embedment

CATALOG NUMBER SMOOTH GRAY	MOUNTING HEIGHT (Ft.)	POLE WEIGHT (Lbs.)	OVERALL LENGTH (Ft.)	POLE SIZE (In.)		EPA AT POLE TIP (Sq. Ft.)				ULTIMATE GROUNDLINE MOMENT (Ft. Lbs.)	BREAKING LOAD 2 Ft. FROM TIP (Lbs.)
				TIP	BUTT	90 MPH	110 MPH	130 MPH	140 MPH		
R10001	6.0	1170	10.0	6.2	15.6	122	81	57	49	11,600	2,900
R15001	11.0	1320	15.0	5.6	15.6	64	41	28	24	11,600	1,289
R20001	16.0	1460	20.0	5.0	15.6	41	26	17	14	11,600	829

### GENERAL INFORMATION

1. Different colors, finishes and exposed aggregates are available upon request.
2. Longer lengths of poles available upon request.
3. All corners are chamfered.
4. 7,000 PSI concrete is standard; higher strengths are available if required.
5. STRENGTH: In most cases a higher ground line moment and a higher breaking strength and EPA can be attained without going to a larger pole.
6. EFFECTIVE PROJECTED AREA (EPA): Lonestar Prestress Mfg. concrete poles and mounting arms have been designed in accordance with accepted engineering practices to be structurally capable of withstanding wind loads and velocity pressure up to 140 MPH (gust speed) per ASCE 7-02. Poles to meet higher wind loads are available.
7. HOLES: Holes are precast to meet your specifications and requirements for mounting attachments, most any desired arrangement can be provided. Contact Lonestar Prestress Mfg. for any questions about field drilling light poles.
8. INSTALLATION: Lonestar Prestress Mfg. concrete poles are designed for setting directly into the ground, without the use of precast foundations, similar to the setting of wood poles. After the hole is drilled, the pole is set and plumbed, the earth is then backfilled and tamped. The depth is dependent on the nature of the soil and the anticipated load. Where it is impossible to embed the poles in the ground, such as on bridges or overpasses, a bolt-down base plate is available.
9. To specify a base plate for base mounted poles add the suffix BP to catalog numbers. Customer to supply the bolt circle drawings or template.



## Rochester Typical Details

POLE	TIP
10 FT.	VARIABLE
15 FT.	VARIABLE
20 FT.	5.0"

- WE ARE NOT RESTRICTED TO THESE STANDARD DETAILS AND WELCOME ANY SPECIAL DESIGNS. YOU MAY USE THE STANDARD DRAWING TO MARK UP AND SEND TO YOUR SALES REPRESENTATIVE OR SEND DIRECTLY TO US.
- CABLE ENTRANCE AVAILABLE WITH CONDUIT COUPLINGS.

