



LONESTAR PRESTRESS MFG. INC.
 9316 Reid Lake Houston, TX 77064
 TEL. (713) 896-0994, FAX (713) 896-0411 www.lonestarprestress.com

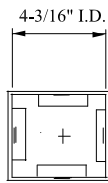
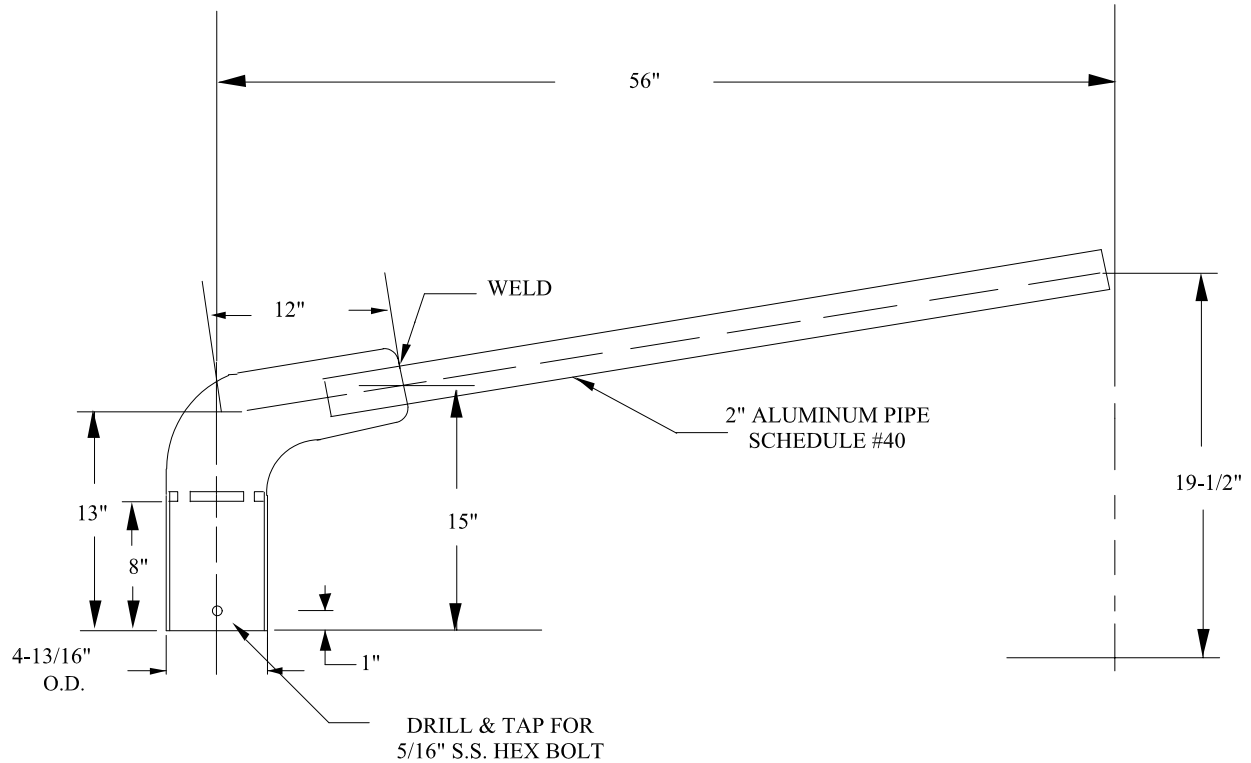
DWG.: CATALOG

CAT.: 966957

DATE:

PROJECT:

SAB-5 BRACKET ARM



TOP VIEW

5/16" x 7/16" HEX. HEAD BOLT OF STAINLESS STEEL
 (4 REQUIRED)

STREET LIGHT BRACKET DETAIL

BRACKETS:

COMPLETE ASSEMBLY- THE BRACKETS SHALL BE OF A LENGTH TO MOUNT TO A LUMINAIRE APPROXIMATELY FIVE FEET FROM CENTER OF POLE AS PER DRAWING.

POLE TOP FITTING- THE POLE TOP FITTING SHALL BE CAST ALUMINUM. THE CASTING AND PARTS SHALL BE AS PER DRAWING. CASTING SHALL BE ALUMINUM ALLOY #356-T6 OR TENZOLOY.

SUPPORTS- THE LUMINAIRE SUPPORT SHALL BE MADE OF TWO INCH IPS ALUMINUM PIPE. ASA SCHEDULE 40.

DESCRIPTION:

5' ALUMINUM SINGLE ARM BRACKET

WEIGHT: 18 LBS

QTY:

FINISH: ALUMINUM