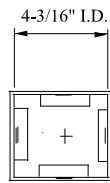
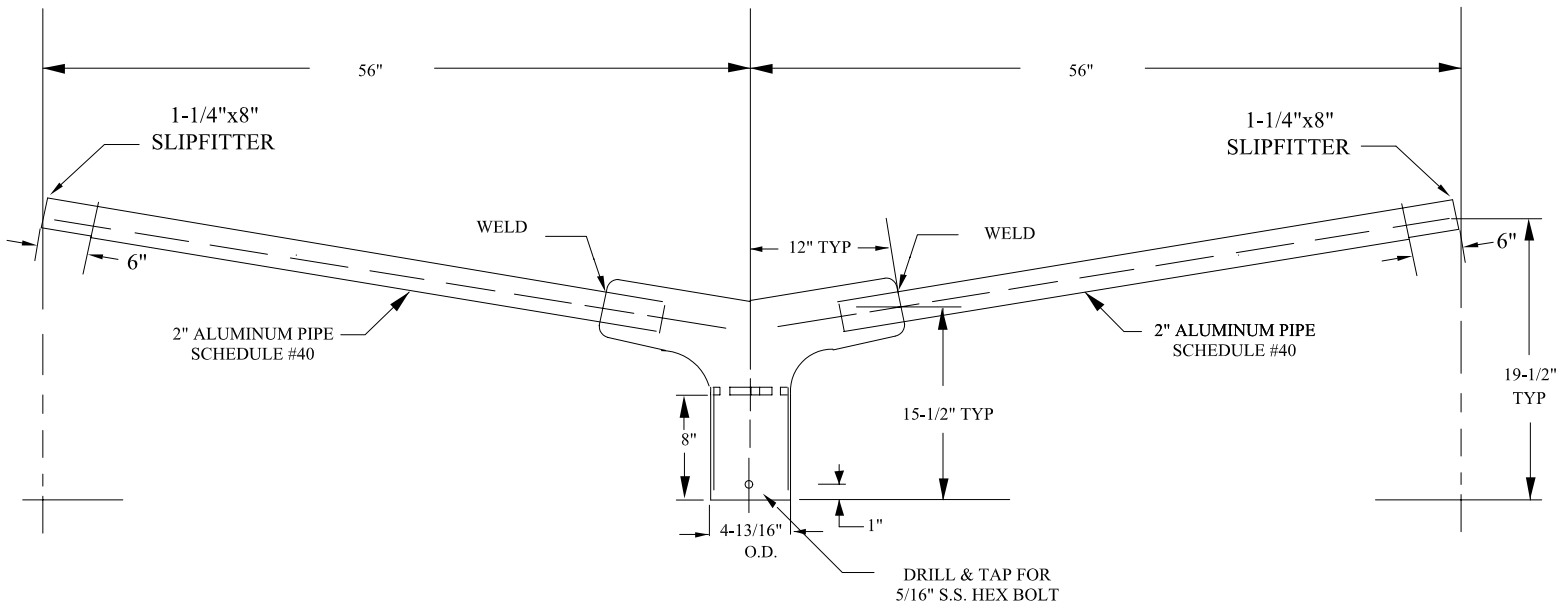




**LONESTAR PRESTRESS MFG. INC.**  
 9316 Reid Lake Houston, TX 77064  
 TEL. (713) 896-0994, FAX (713) 896-0411 www.lonestarprestress.com

DWG.: CATALOG	
CAT.: 967905-SF	DATE:
PROJECT:	

DAB-5 BRACKET ARM



TOP VIEW

5/16" x 7/16" HEX. HEAD BOLT OF STAINLESS STEEL  
 (4 REQUIRED)

STREET LIGHT BRACKET DETAIL

**BRACKETS:**

**COMPLETE ASSEMBLY-** THE BRACKETS SHALL BE OF A LENGTH TO MOUNT TO A LUMINAIRE APPROXIMATELY FIVE FEET FROM CENTER OF POLE AS PER DRAWING.

**POLE TOP FITTING-** THE POLE TOP FITTING SHALL BE CAST ALUMINUM. THE CASTING AND PARTS SHALL BE AS PER DRAWING. CASTING SHALL BE ALUMINUM ALLOY #356-T6 OR TENZOLOY.

**SUPPORTS-** THE LUMINAIRE SUPPORT SHALL BE MADE OF TWO INCH IPS ALUMINUM PIPE. ASA SCHEDULE 40.

**DESCRIPTION:**

**5' ALUMINUM DBL BRKT  
 W/ 6"X1-1/4" I.D. SLIPFITTER**

WEIGHT:	25 LBS	QTY:
FINISH:	ALUMINUM	