



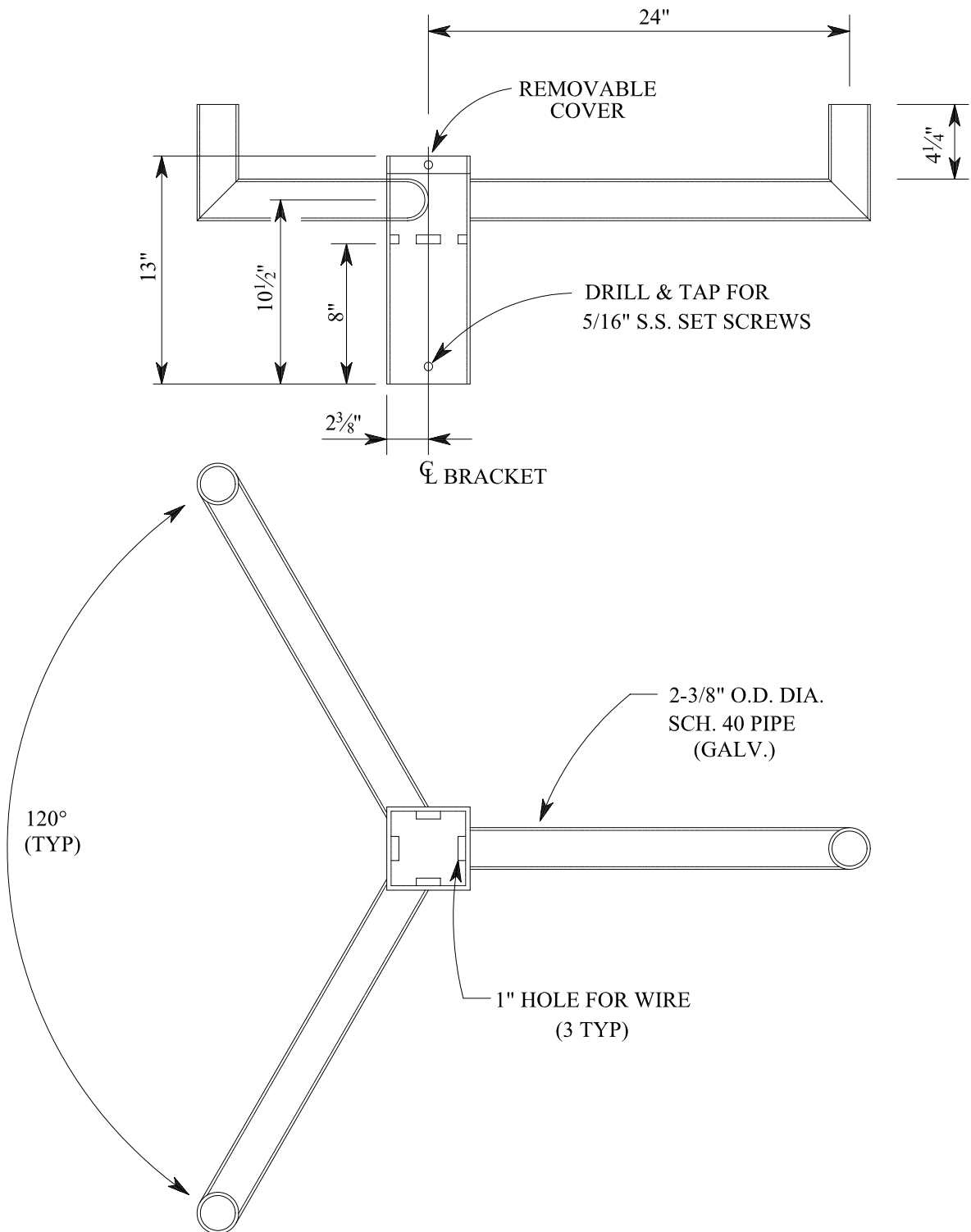
LONESTAR PRESTRESS MFG. INC.
 9316 Reid Lake Houston, TX 77064
 TEL. (713) 896-0994, FAX (713) 896-0411 www.lonestarprestress.com

DWG.: CATALOG

CAT.: 962879

DATE:

PROJECT:



NOTES:

1. ALL PARTS TO BE GALVANIZED STEEL.
2. MATERIAL TO BE 3/16" STEEL UNLESS OTHERWISE NOTED.
3. INSTALL 1/4" SS BOLTS IN COVER AFTER GALVANIZING.

DESCRIPTION:

**TYPE I TRIPLE
TENON BULLHORN**

WEIGHT: 54 LBS

QTY:

FINISH: GALVANIZED STEEL