



LONESTAR PRESTRESS MFG. INC.

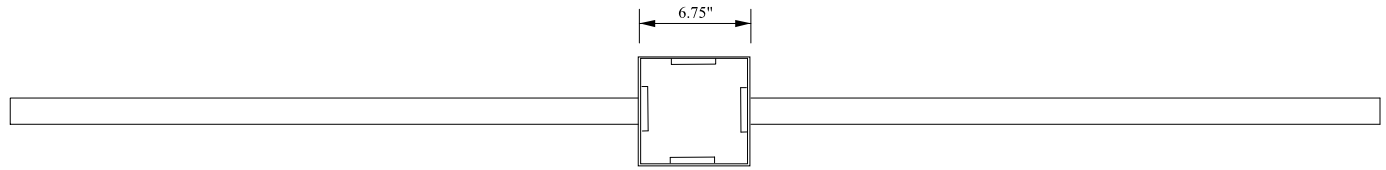
9316 Reid Lake Houston, TX 77064
TEL. (713) 896-0994, FAX (713) 896-0411 www.lonestarprestress.com

DWG.: CATALOG

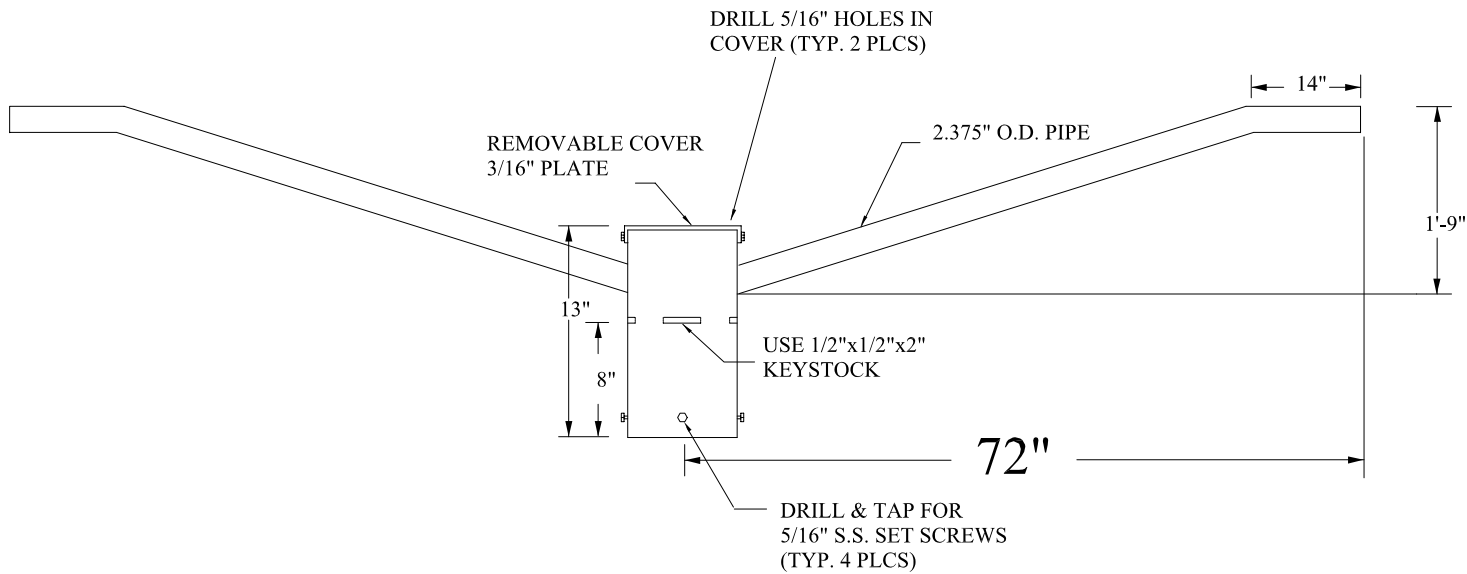
CAT.: 967889

DATE:

PROJECT:



KEYWAY STOPS TO BE WELDED ON TOP SIDE ONLY. BOTTOM SIDE MUST BE SMOOTH SO CAP WILL SIT LEVEL ON POLE



NOTES

- 1.) ALL PARTS SHALL BE STEEL
- 2.) ALL TOLERANCES SHALL BE 1/16"
- 3.) MATERIAL TO BE 3/16" STEEL UNLESS OTHERWISE NOTED.
- 4.) INSTALL 1/4"x20x1/4" S.S. BOLTS IN COVER .
- 5.) STEEL BRACKET TO BE GALVANIZED AFTER FABRICATION

DESCRIPTION:

**TYPE II STEEL
DOUBLE ARM BRACKET**

WEIGHT: 14 LBS

QTY:

FINISH: GALVANIZED STEEL