



LONESTAR PRESTRESS MFG. INC.

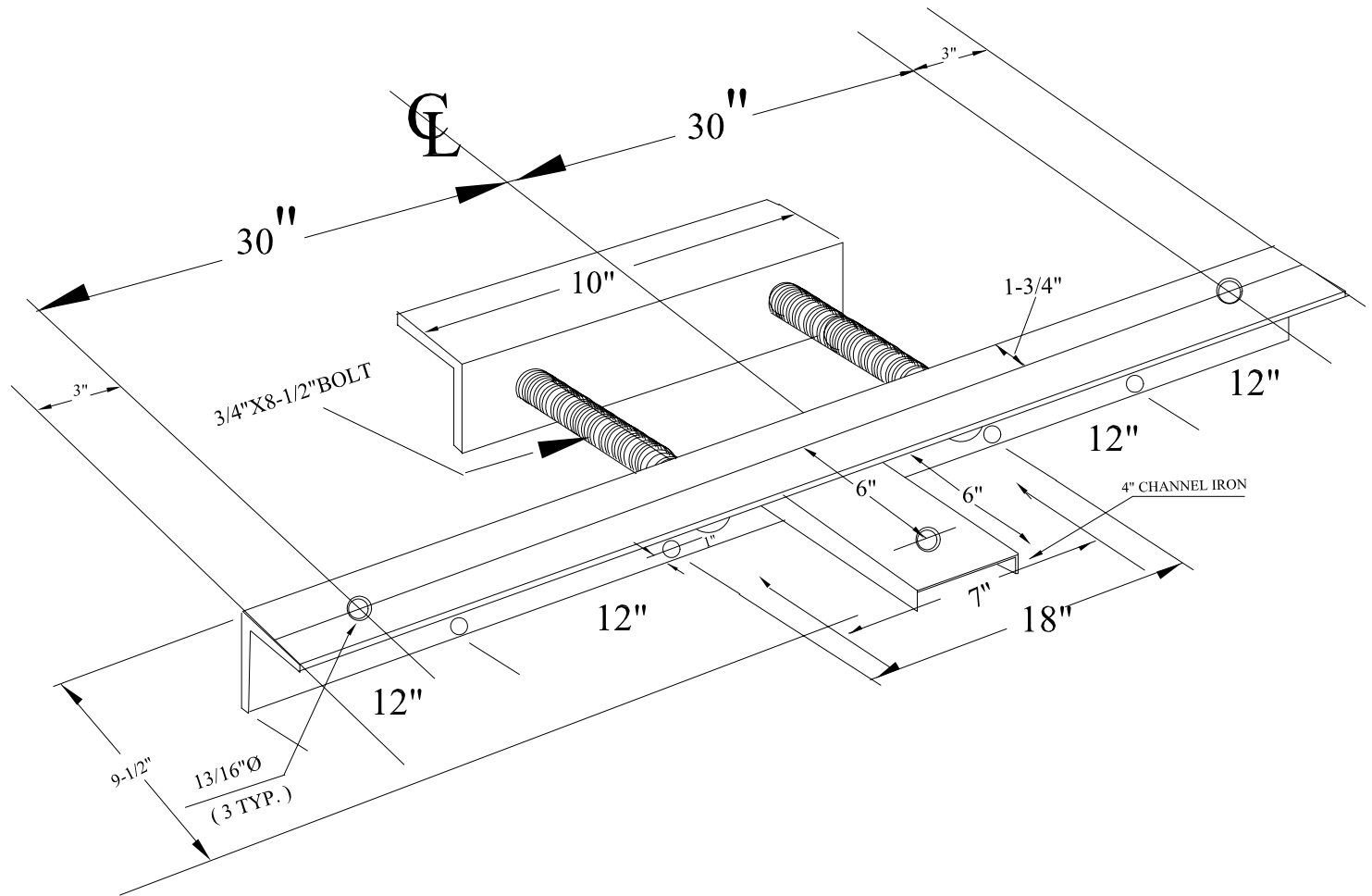
9316 Reid Lake Houston, TX 77064  
TEL. (713) 896-0994, FAX (713) 896-0411 www.lonestarprestress.com

DWG.: CATALOG

CAT.: 968869

DATE:

PROJECT:



NOTES:

- 1.) ALL PARTS SHALL BE GALV. STEEL.
- 2.) MATERIAL SHALL BE 3 1/2"x3 1/2"x3/8" ANGLE.

DESCRIPTION:

THREE SPORTS LIGHT BRACKET

WEIGHT: 40 LBS

QTY:

FINISH: GALVANIZED STEEL