



LONESTAR PRESTRESS MFG. INC.

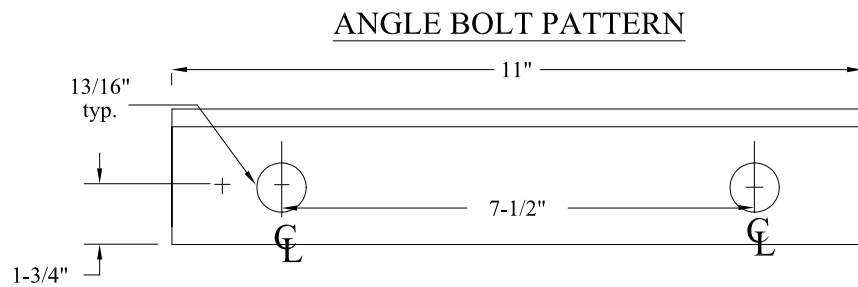
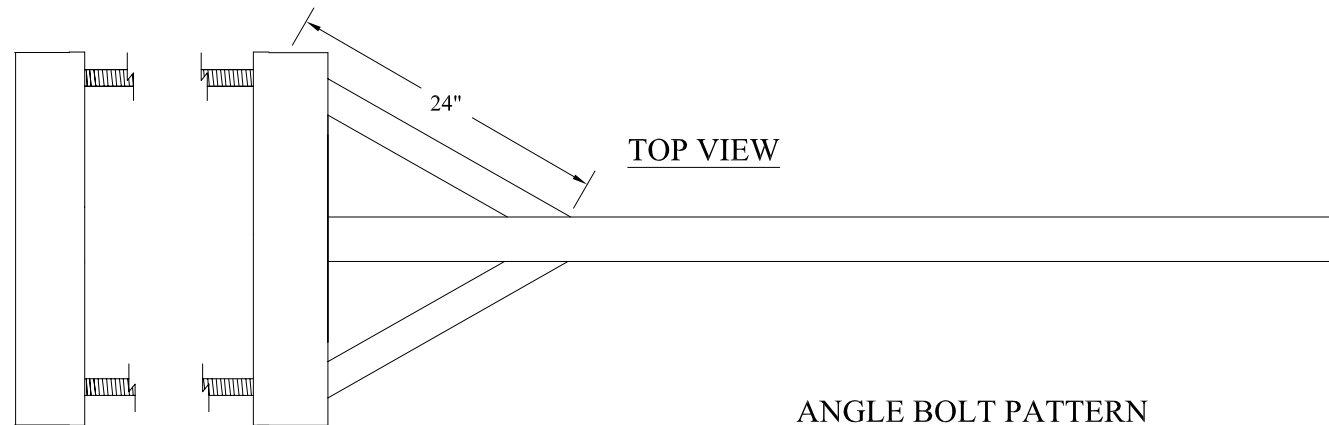
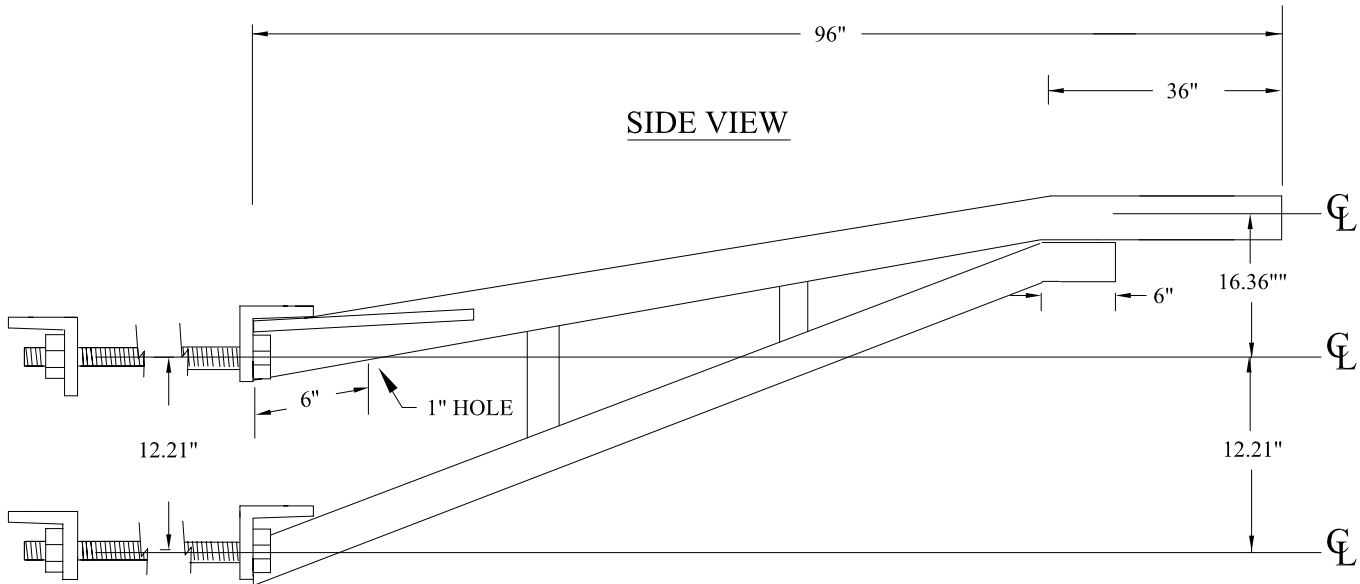
9316 Reid Lake Houston, TX 77064
TEL. (713) 896-0994, FAX (713) 896-0411 www.lonestarprestress.com

DWG.: CATALOG

CAT.: 966889

DATE:

PROJECT:



NOTE:

- BOLTS - 3/4"X9" GALV. HEX HEAD BOLTS WITH NUTS & WASHERS.
- TOP PIPE IS 98.2" (2" PIPE)
- BOTTOM PIPE IS 77" (2" PIPE)
- ANGLE TO BE STRUCTURAL GRADE 3"X4"X3/8" ANGLE. (FOUR @ 11")

DESCRIPTION:

8' TRUSS ARM BRACKET

WEIGHT: 71 LBS

QTY:

FINISH: GALVANIZED STEEL