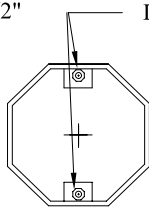


**SECTION
"A-A"**

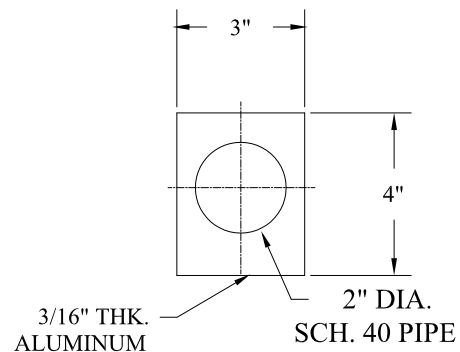
WELD 1/2"x1/2"x1-1/2"
 POLE STOPS
 (TYP. 4 PLCS)
 (SEE NOTE 4)



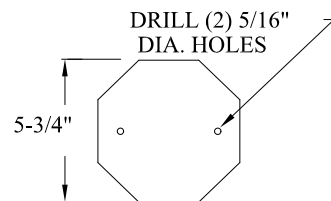
**SECTION
"B-B"**

DRILL AND TAP
 1/4"x 20 HOLES
 FLUSH W/TOP

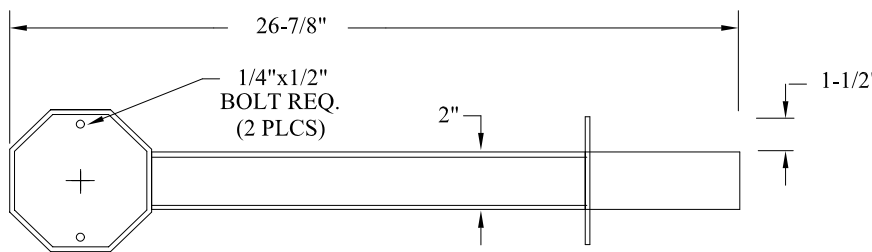
NOTE:
 DRILL IN COVER
 HOLES TO MATCH
 (2PLCS)



**FACE MTG
DETAIL**

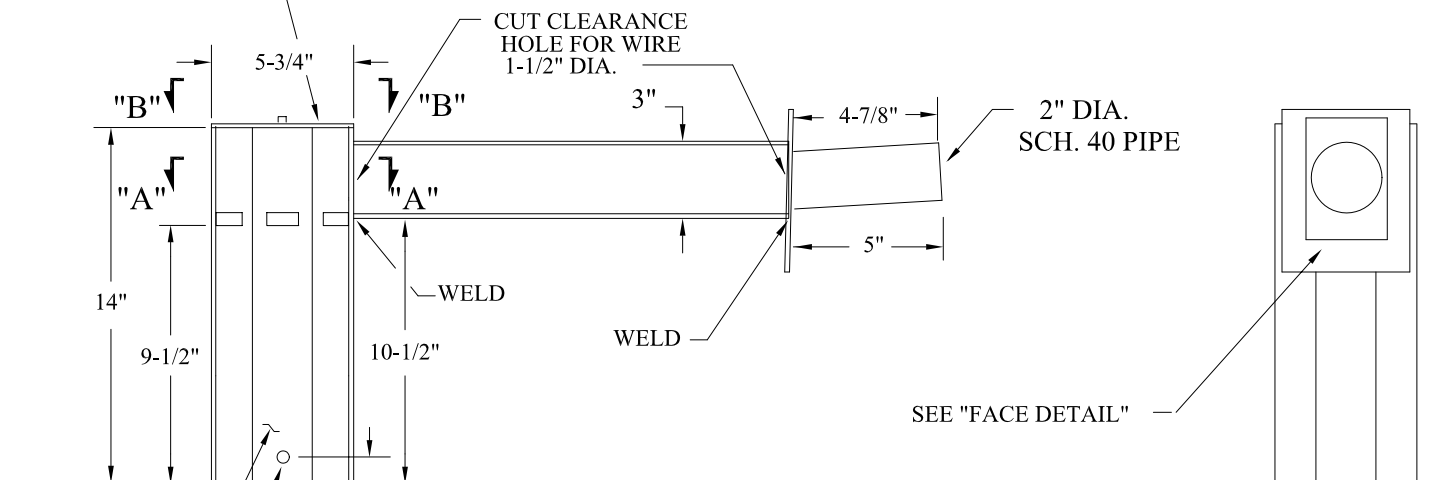


**COVER
DETAIL**



TOP VIEW

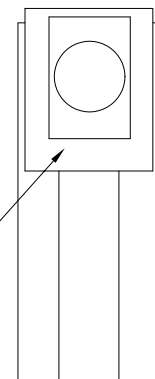
REMOVABLE COVER
 OF 3/16" PLATE



SIDE VIEW

1/4" THK PLATE
 DRILL & TAP
 FOR A 5/16"
 S.S. SET SCREW
 (TYP. 4 PLCS)

SEE "FACE DETAIL"



END VIEW

NOTES:

1. BREAK ALL SHARP EDGES.
2. COVER MUST FIT FLUSH WITH TOP.
3. MATERIAL TO BE 1/4" ALUMINUM UNLESS OTHERWISE NOTED.
4. PLATE WELDED ON TOP SIDE ONLY.
 BOTTOM SIDE MUST BE SMOOTH SO CAP WILL SIT LEVEL ON POLE.
5. PAINT ALL EXPOSED SURFACES DARK BRONZE.

DESCRIPTION:

**ALUMINUM SINGLE ARM
 LIGHT BRACKET**

FINISH:

ALUMINUM

QTY: